



CATÁLOGO DE PEÇAS ESPECIAIS



Distribuidora Autorizada:

A P C
A MARCA DA QUALIDADE



**Rua Aparecido Balbino Pereira, 60/70
São Jose do Rio Preto / SP.**

Telefone : (17) 3302.9000 – Fax : (17) 3302.9001

E-mail : riopretovedacoes@riopretovedacoes.com.br

Site : www.riopretovedacoes.com.br

RELACÕES DE E-MAILS e TELEFONES

Vendas:

Andrea

✉ vendas@riopretovedacoes.com.br

💬 vendas.riopretovedacoes

☎ 17 3302.9004 📞 99117 3061

Júlio Caires

✉ vendas2@riopretovedacoes.com.br

💬 vendas2.riopretovedacoes

☎ 17 3302.9008 📞 99160 0013

Robert

✉ vendas4@riopretovedacoes.com.br

💬 vendas4.riopretovedacoes

☎ 17 3302.9000 📞 99139 6117

Vinicius

✉ vendas6@riopretovedacoes.com.br

💬 vendas6.riopretovedacoes

☎ 17 3302.9007 📞 99120 6700

Neto

✉ vendas1@riopretovedacoes.com.br

💬 vendas1.riopretovedacoes

☎ 17 3302.9006 📞 99178 1117

David

✉ vendas3@riopretovedacoes.com.br

💬 vendas3.riopretovedacoes

☎ 17 3302.9005 📞 99209 1448

Leandro

✉ vendas7@riopretovedacoes.com.br

💬 vendas7.riopretovedacoes

☎ 17 3302.9000 📞 99139 6117

Financeiro:

Kelly

✉ financeiro@riopretovedacoes.com.br

💬 financeiro.riopretovedacoes

☎ 17 3302.9002

Faturamento2:

Jaqueline

✉ faturamento@riopretovedacoes.com.br

💬 faturamento.rpv

☎ 17 3302.9003

Faturamento:

Cristiane

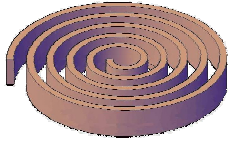







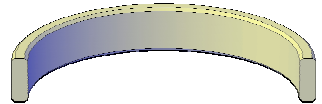



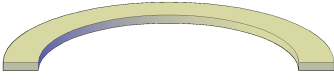







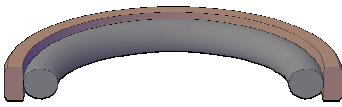

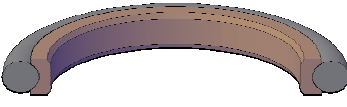

✉ faturamento@riopretovedacoes.com.br

💬 faturamento.riopretovedacoes

☎ 17 3302.9000

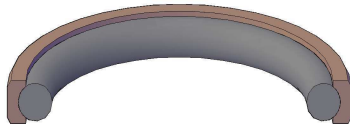

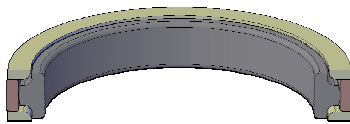

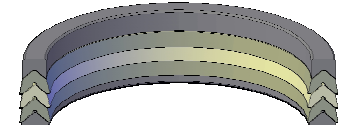
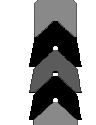
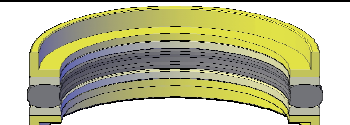

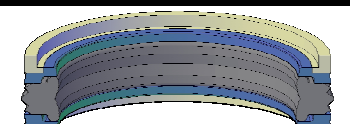

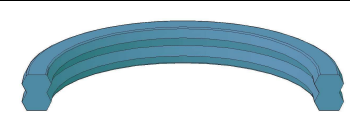

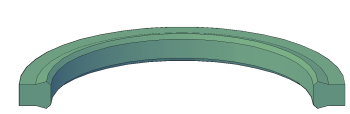





Visite nosso site:

www.riopretovedacoes.com.br

ÍNDICE					
LINHA	IMAGEM DO PRODUTO	PERFIL	DESCRIÇÃO	MATERIAL	PÁG
FIG			FITA GUIA	PTFE COM BRONZE	3
ANG			ANEL GUIA	NYLON 66 COM FIBRA DE VIDRO	4
AQB			ARRUELAS DE BORRACHA	NBR 80	11
ARU			ARRUELAS DE PU	TPU	16
ATF			ARRUELAS DE PTFE	PTFE CARREGADO OU PURO	17
BKP			ANÉIS BACKUP	NBR 90	27
BKP			ANÉIS BACKUP EM PTFE	PTFE CARREGADO OU PURO	28
BKP			ANÉIS BACKUP EM ESPIRAL	PTFE CARREGADO OU PURO	28
BKP			ANÉIS BACKUP	TPU	29
BS			CONJUNTO OD	PTFE COM BRONZE E O'RING	30
BS			CONJUNTO OE	PTFE COM BRONZE E O'RING	31
BS			CONJUNTO CR	PTFE COM BRONZE E O'RING	32

PEÇAS AVULSAS E CONJUNTOS ESPECIAIS

Obs: Para aplicações mais severas, consultar nosso departamento de engenharia;

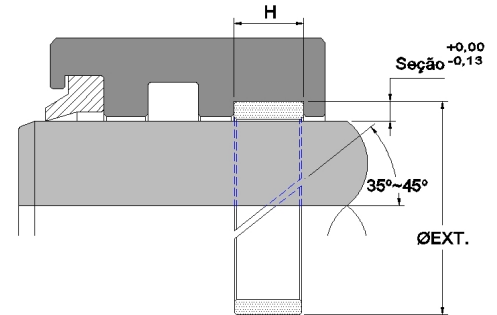
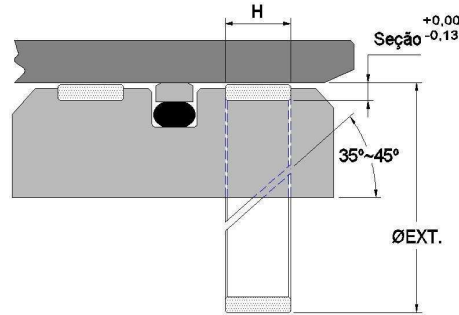
ÍNDICE					
LINHA	IMAGEM DO PRODUTO	PERFIL	DESCRIÇÃO	MATERIAL	PÁG
BS			CONJUNTO CP	PTFE COM BRONZE E O'RING	32
CAP			CONJUNTO CAPPED T-SEAL	PTFE COM BRONZE, NYLON 66, NBR 80	33
GXL			CONJUNTO CHEVRON	NYLON 66 COM FIBRA DE VIDRO E LONA DE NBR 80	34
ZO			CONJUNTO ZO	NYLON 66, PU e NBR 80	36
ZW			CONJUNTO ZW	NYLON 66, PU e NBR 80	38
DUAL RING			ARRUELA DE PU	POLYMAX	39
OV			ARRUELA DE PU	TPU	39
V'RING			GUARDA PÓ DE BORRACHA	NBR 80	40
O'RING			O'RING DE PU	POLYMAX	40

PEÇAS AVULSAS E CONJUNTOS ESPECIAIS

Obs: Para aplicações mais severas, consultar nosso departamento de engenharia;

ANG

Anéis Guia de Nylon



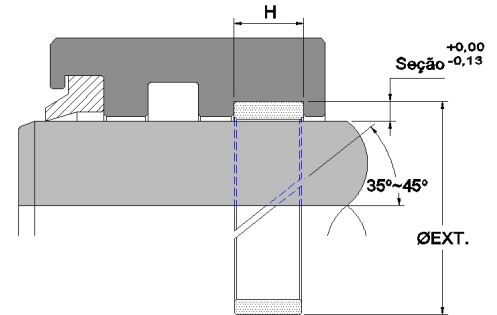
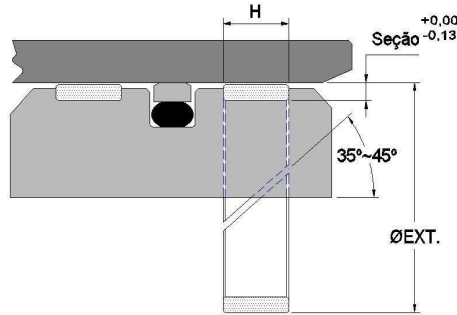
Medidas Nominais Milimétricas

Nº AGEL	REFERÊNCIA	Ø EXT.	SEÇÃO +0 - 0,13	H
9963	---	14,90	1,00	5,00
3781	---	19,90	1,55	5,00
9964	---	20,90	1,50	5,00
AG7061	---	21,90	3,00	13,00
9374	W1-0875-375	22,00	2,00	9,50
AG8015	---	23,70	1,85	6,35
9595	W1-1000-500	25,40	2,00	12,70
5094	---	27,00	1,50	7,00
6687	---	28,00	2,50	10,00
9174	---	28,60	2,00	13,00
5355	---	29,00	1,80	6,35
9191	---	29,00	2,00	12,20
9372	---	30,00	2,00	7,30
5336	---	30,00	2,00	9,50
6740	---	30,00	2,95	8,00
6741	---	30,00	2,95	13,00
AG8310	---	31,75	2,00	8,00
6372	W1-1250-500	31,75	2,00	12,70
3822	W2-1250-500	31,75	3,17	12,70
AG7434	---	33,00	1,50	30,20
9373	---	34,00	2,00	9,50
3762	---	34,80	2,55	10,00
AG7974	---	34,92	1,60	25,40
AG8169	W2-1375-250	34,92	3,17	6,35
AG7476	W2-1375-625	34,92	3,17	15,88
AG7570	---	35,00	1,50	16,00
1689	W1-1375-375	35,00	2,00	9,50
AG7358	W1-1400-500	35,56	2,00	12,70
AG8193	6W1-1410-375	35,80	1,95	9,50
3650	---	36,90	2,45	5,40
AG7871	---	38,10	1,90	3,75
AG7196	W1-1500-500	38,10	2,00	12,70
9683	---	38,10	2,50	4,80
AG7250	W2-1500-187	38,10	3,17	4,76
AG7415	W2-1500-375	38,10	3,17	9,50
5741	W2-1500-500	38,10	3,17	12,70
AG7216	---	39,00	2,00	19,00
3763	---	39,80	2,55	10,00
3884	---	39,80	2,90	10,00
9584	---	40,00	2,50	12,70

Nº AGEL	REFERÊNCIA	Ø EXT.	SEÇÃO +0 - 0,13	H
AG7924	---	40,00	2,50	15,00
6908	---	40,00	3,17	9,50
3342	---	41,00	1,50	21,00
3205	---	41,00	1,50	25,00
3343	---	41,00	1,50	31,30
3485	---	41,00	2,50	5,50
6364	6W5-1614-768	41,00	3,00	19,50
3126	W1-1625-500	41,27	2,00	12,70
9112	W1-1650-375	41,90	2,00	9,50
1688	W1-1650-500	41,90	2,00	12,70
5864	---	42,00	1,50	4,00
AG7001	---	42,00	2,50	5,60
6215	---	44,00	2,50	9,50
5600	---	44,00	2,70	9,50
5862	W2-1750-375	44,45	3,17	9,50
5734	W2-1750-500	44,45	3,17	12,70
1755	---	44,45	3,17	15,00
5462	---	45,00	2,00	10,00
3374	---	45,00	2,50	5,50
6352	---	45,00	2,50	14,00
AG7867	---	45,00	2,50	32,00
AG7708	---	45,90	2,95	10,00
1224	---	47,50	1,50	25,40
5180	---	47,50	1,50	25,40
6188	W2-1875-500	47,50	3,17	12,70
AG7101	---	47,80	1,90	7,00
AG7362	---	47,90	1,45	22,50
6477	---	48,00	2,00	25,00
AG7122	---	49,00	2,00	8,00
5981	---	49,50	3,17	5,20
3178	---	50,00	3,00	23,00
AG7352	---	50,40	3,20	12,70
AG7040	---	50,50	1,50	25,00
5059	---	50,80	2,50	9,50
5957	6W5-1968-590	50,80	3,00	15,00
5386	W2-2000-375	50,80	3,17	9,50
5406	---	50,80	3,17	10,50
1985	W2-2000-500	50,80	3,17	12,70
AG7339	W2-2000-625	50,80	3,17	15,88
1734	W2-2000-750	50,80	3,17	19,05

ANG

Anéis Guia de Nylon



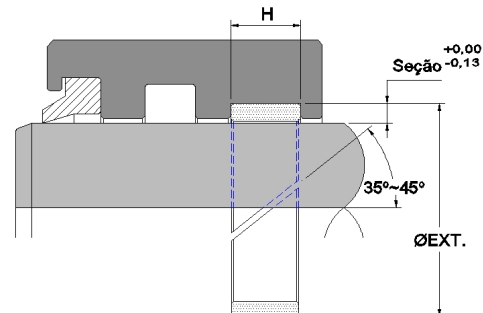
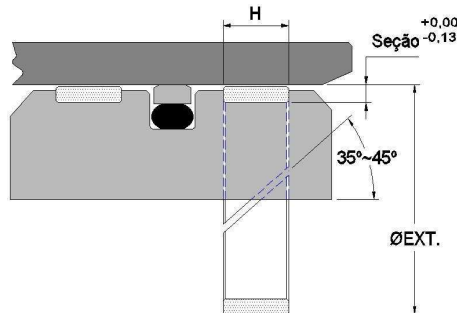
Medidas Nominais Milimétricas

Nº AGEL	REFERÊNCIA	Ø EXT.	SEÇÃO +0 - 0,13	H
6182	---	52,00	2,20	6,40
6115	---	52,50	4,00	10,00
AG7423	---	53,00	1,50	25,00
3344	---	53,50	1,50	20,50
1225	6W3-2125-1000	53,97	1,50	25,40
AG7179	---	53,97	1,58	18,50
5880	---	54,00	2,50	5,50
3094	W2-2125-750	54,00	3,17	19,05
1791	---	55,00	2,50	15,00
3121	6W5-2205-1000	55,00	3,00	25,00
1232	---	55,00	3,17	9,50
6348	---	56,00	2,50	5,00
1790	---	56,00	2,50	14,00
1249	---	56,00	3,00	28,00
3398	---	56,00	3,17	19,50
3345	---	56,50	1,50	25,40
1223	---	57,10	2,50	15,88
AG7097	W2-2250-250	57,15	3,17	6,35
AG7114	W2-2250-375	57,15	3,17	9,50
1445	W2-2250-500	57,15	3,17	12,70
3097	W2-2250-750	57,15	3,17	19,05
1369	W2-2250-875	57,15	3,17	22,22
3765	---	57,80	2,55	13,00
AG7872	---	58,30	1,50	3,75
AG8165	---	58,80	4,00	10,00
6212	---	59,00	2,50	5,50
3346	---	59,50	1,50	30,00
AG7109	---	59,80	1,90	7,00
3206	---	60,00	1,50	25,00
1273	---	60,00	1,50	36,70
3649	---	60,00	2,50	5,60
AG7446	---	60,00	2,50	7,00
AG7922	---	60,00	2,50	10,00
3289	---	60,00	2,50	15,00
AG7868	---	60,00	2,50	29,20
AG7099	---	60,35	1,55	18,40
3120	---	61,00	3,00	25,40
3708	---	61,50	3,17	12,70
1116	---	62,00	3,00	28,00
1220	W2-2437-375	62,00	3,17	9,50

Nº AGEL	REFERÊNCIA	Ø EXT.	SEÇÃO +0 - 0,13	H
3399	W2-2437-750	62,00	3,17	19,05
3834	---	62,90	2,95	13,00
5907	---	63,00	2,50	5,50
AG7121	---	63,00	2,90	9,50
6867	---	63,00	3,00	15,00
3817	---	63,00	4,50	12,00
3665	---	63,50	1,50	31,75
AG8057	---	63,50	1,60	9,50
1687	---	63,50	2,50	10,00
1741	---	63,50	3,00	15,00
AG8103	W2-2500-187	63,50	3,17	4,76
1134	W2-2500-250	63,50	3,17	6,35
4340	W2-2500-375	63,50	3,17	9,50
4111	W2-2500-437	63,50	3,17	11,00
1227	W2-2500-500	63,50	3,17	12,70
1727	W2-2500-625	63,50	3,17	15,88
1229	W2-2500-750	63,50	3,17	19,05
1712	W2-2500-1000	63,50	3,17	25,40
AG7507	---	63,90	3,20	39,30
6731	---	64,00	2,40	6,00
AG7047	---	65,00	1,50	15,00
5552	---	65,00	2,50	5,40
5084	---	65,00	2,50	6,00
AG8304	---	65,00	2,50	10,00
AG7982	---	65,00	2,50	15,00
3754	---	65,00	2,50	18,00
6023	---	65,00	3,00	6,00
4580	---	66,00	1,50	25,00
3347	---	66,50	1,50	25,40
3500	---	66,50	1,50	38,10
AG7098	---	66,68	1,55	18,40
AG7477	---	66,68	1,55	31,75
3138	---	67,00	2,50	40,00
AG7125	---	68,00	2,00	10,00
AG8298	---	68,00	2,50	9,50
1758	---	68,00	3,17	12,70
AG7382	---	69,00	3,00	31,50
3400	---	69,00	3,17	19,05
6860	---	69,40	3,80	10,20
AG7957	---	69,85	1,58	9,50

ANG

Anéis Guia de Nylon



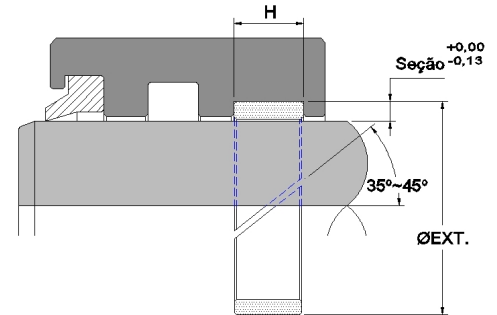
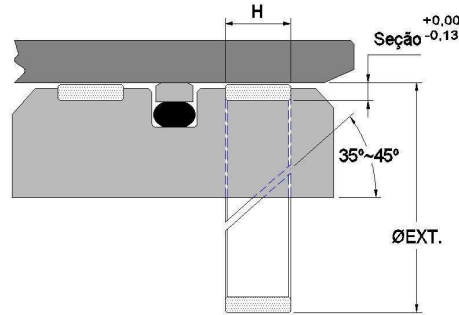
Medidas Nominais Milimétricas

Nº AGEL	REFERÊNCIA	Ø EXT.	SEÇÃO +0 - 0,13	H
3196	W2-2750-500	69,85	3,17	12,70
3486	---	70,00	2,50	5,50
6232	---	70,00	2,50	7,00
5737	---	70,00	2,50	10,00
1793	---	70,00	2,50	20,00
1740	---	70,00	3,00	15,00
AG7100	---	70,00	3,00	18,00
1945	---	70,00	3,00	28,40
1900	W2-2750-250	70,00	3,17	6,35
3154	W2-2750-375	70,00	3,17	9,50
3349	---	70,00	3,17	23,50
3293	W2-2750-1750	70,00	3,17	44,40
3330	---	70,00	4,00	9,50
3348	---	72,00	1,50	31,00
5884	---	72,00	2,50	5,50
AG7965	---	73,00	1,50	15,00
3954	---	73,00	1,50	45,50
AG7481	---	73,00	1,55	25,40
6669	---	73,00	3,00	13,00
3940	---	73,00	3,17	20,00
AG7436	W2-2875-500	73,02	3,17	12,70
1368	W2-2875-875	73,02	3,17	22,22
3764	---	74,80	2,55	13,00
5875	---	75,00	2,30	9,50
5626	---	75,00	2,50	5,50
AG7845	---	75,00	2,50	9,50
1390	---	75,00	2,50	15,00
6353	---	75,00	2,50	18,00
6003	---	75,00	2,50	55,00
AG7469	---	75,00	3,00	10,00
3008	---	75,00	3,00	13,00
3403	---	75,00	3,00	15,00
AG7847	---	75,00	3,00	19,00
AG7851	---	76,20	1,60	12,70
6924	---	76,20	2,50	6,35
4011	---	76,20	2,50	9,50
1226	---	76,20	2,50	19,05
4013	---	76,20	3,00	15,00
1222	W2-3000-375	76,20	3,17	9,50
1771	W2-3000-437	76,20	3,17	11,00

Nº AGEL	REFERÊNCIA	Ø EXT.	SEÇÃO +0 - 0,13	H
1612	W2-3000-500	76,20	3,17	12,70
1230	W2-3000-625	76,20	3,17	15,88
1147	W2-3000-750	76,20	3,17	19,05
1228	W2-3000-1000	76,20	3,17	25,40
1362	---	76,20	3,17	25,40
1937	---	76,20	4,00	13,50
1209	---	76,20	4,76	19,05
AG7442	---	76,34	3,17	39,30
AG7108	---	76,80	2,90	10,00
6777	---	77,00	3,17	8,00
3938	---	77,00	3,50	13,00
3969	---	78,00	4,00	40,00
5889	---	79,00	2,50	5,50
1895	---	79,00	4,70	31,75
4241	---	79,20	1,50	42,00
3833	---	79,90	2,95	13,00
1237	---	80,00	1,50	38,10
5847	---	80,00	2,40	9,50
3375	---	80,00	2,50	5,50
5133	---	80,00	2,50	6,00
AG7860	---	80,00	2,50	32,00
AG7144	---	80,00	2,90	10,00
1809	---	80,00	3,00	12,70
3179	---	80,00	3,17	10,00
4375	W2-3149-500	80,00	3,17	12,70
AG7709	---	80,00	4,90	15,00
AG7715	---	80,00	4,90	18,00
1159	---	82,00	3,00	19,00
1409	---	82,50	3,00	15,00
1196	W2-3250-375	82,55	3,17	9,50
5721	W2-3250-500	82,55	3,17	12,70
3939	W2-3250-562	82,55	3,17	14,30
6906	W2-3250-625	82,55	3,17	15,88
4458	W2-3250-1000	82,55	3,17	25,40
AG7041	W2-3250-1125	82,55	3,17	28,57
4459	---	83,85	3,17	12,70
3966	---	84,00	3,00	19,00
1678	---	85,00	2,00	15,00
AG8301	---	85,00	2,50	5,50
AG7272	---	85,00	2,50	15,00

ANG

Anéis Guia de Nylon



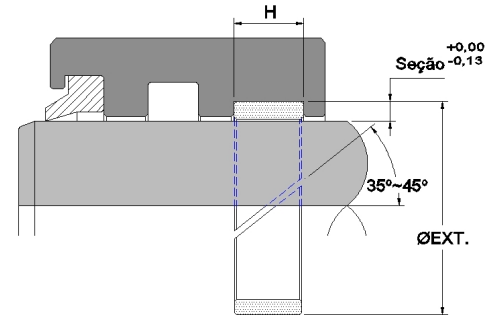
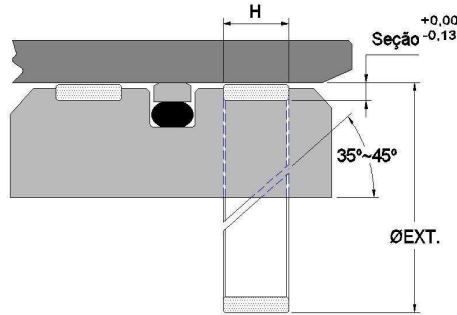
Medidas Nominais Milimétricas

Nº AGEL	REFERÊNCIA	Ø EXT.	SEÇÃO +0 - 0,13	H
1882	---	85,00	3,00	19,00
AG7646	---	85,50	3,50	19,20
4338	W2-3375-500	85,72	3,17	12,70
AG8269	6W6-3375-250	85,73	2,40	6,35
6200	---	85,73	2,50	9,50
1158	---	86,00	2,50	31,75
AG8300	---	86,00	3,00	12,00
3085	---	86,00	3,00	15,00
4198	---	87,50	2,50	50,00
4015	---	88,80	2,50	9,50
4014	---	88,80	3,00	15,00
1938	---	88,80	4,00	15,00
1203	W2-3500-375	88,90	3,17	9,50
1852	W2-3500-394	88,90	3,17	10,00
4213	W2-3500-437	88,90	3,17	11,00
1446	W2-3500-500	88,90	3,17	12,70
3100	W2-3500-590	88,90	3,17	15,00
1214	W2-3500-625	88,90	3,17	15,88
3093	W2-3500-750	88,90	3,17	19,05
1167	W2-3500-1000	88,90	3,17	25,40
1221	W2-3500-1125	88,90	3,17	28,60
1365	W2-3500-1500	88,90	3,17	38,10
1329	---	88,90	4,76	19,05
1752	---	90,00	2,00	15,00
6226	---	90,00	2,50	9,50
AG7691	---	90,00	2,50	15,00
1804	---	90,00	3,00	9,00
1794	---	90,00	3,00	25,00
1190	---	91,00	3,17	15,88
4450	W2-3625-500	92,07	3,17	12,70
AG7077	---	92,50	2,90	10,00
3780	W2-3687-500	93,65	3,17	12,70
AG7153	---	95,00	2,50	5,90
3407	---	95,00	2,50	10,00
3896	---	95,00	3,00	29,00
3664	---	95,00	3,17	37,50
AG7156	---	95,00	3,90	6,00
4398	W2-3750-375	95,25	3,17	9,52
1239	W2-3750-500	95,25	3,17	12,70
AG7447	W2-3750-625	95,25	3,17	15,88

Nº AGEL	REFERÊNCIA	Ø EXT.	SEÇÃO +0 - 0,13	H
6765	W2-3750-750	95,25	3,17	19,05
AG7357	W2-3750-1000	95,25	3,17	25,40
3832	---	95,80	2,55	13,00
3987	---	96,00	3,00	19,00
3720	W2-3875-1000	98,40	3,17	25,40
4457	---	98,70	3,17	12,70
AG7111	---	99,80	2,90	10,00
3766	---	99,80	2,90	13,00
4043	---	100,00	2,00	9,50
1743	---	100,00	2,00	15,00
AG7166	---	100,00	2,50	9,50
3406	---	100,00	2,50	9,70
1389	---	100,00	2,50	15,00
AG7925	---	100,00	2,50	25,00
1826	---	100,00	3,00	12,70
1962	---	100,00	3,00	15,00
3157	---	100,00	3,00	25,00
4057	---	100,00	3,00	30,00
1504	---	100,00	3,17	15,00
1367	---	100,00	3,17	15,88
1367	---	100,00	3,17	15,88
1711	---	100,00	4,50	12,00
1212	---	101,40	4,70	20,00
4012	---	101,60	2,50	9,50
1197	W2-4000-375	101,60	3,17	9,50
1769	W2-4000-437	101,60	3,17	11,10
3498	W2-4000-500	101,60	3,17	12,70
1215	W2-4000-625	101,60	3,17	15,88
1978	---	101,60	3,17	19,80
1363	W2-4000-875	101,60	3,17	22,20
3830	W2-4000-1000	101,60	3,17	25,40
1370	W2-4000-1250	101,60	3,17	31,75
6118	---	101,60	4,00	10,00
3941	W2-4125-500	104,80	3,17	12,70
AG7249	---	105,00	2,50	6,00
AG7164	---	105,00	2,50	9,50
3414	---	105,00	2,50	15,00
6147	---	105,00	3,00	12,50
3844	---	105,00	3,00	19,00
4405	---	105,00	4,50	10,00

ANG

Anéis Guia de Nylon



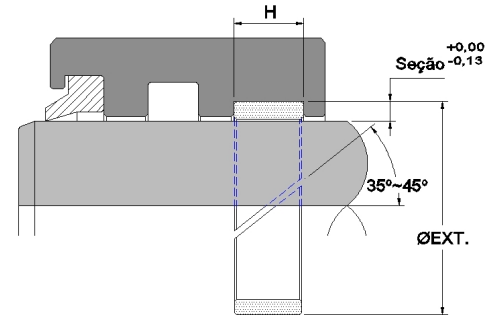
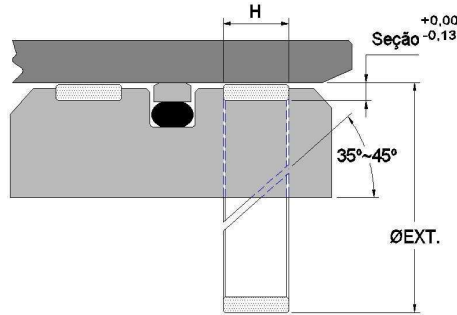
Medidas Nominais Milimétricas

Nº AGEL	REFERÊNCIA	Ø EXT.	SEÇÃO +0 - 0,13	H
4016	---	107,90	2,50	9,50
1231	W2-4250-375	107,90	3,17	9,50
1208	W2-4250-500	107,90	3,17	12,70
1233	W2-4250-625	107,90	3,17	15,88
1301	W2-4250-1000	107,90	3,17	25,40
1971	W2-4250-1500	107,90	3,17	38,10
4052	---	110,00	2,50	8,00
6272	---	110,00	2,50	15,00
AG7222	---	110,00	3,00	6,00
3019	---	110,00	3,00	13,00
1783	---	110,00	3,00	25,00
3663	---	110,00	3,00	35,00
AG7375	---	110,00	3,15	15,00
AG7226	---	110,00	3,17	7,00
1738	---	110,00	3,30	9,50
4053	---	110,00	4,00	6,10
4406	---	110,00	4,50	10,00
3186	---	110,00	4,50	12,50
4760	W2-4375-1250	111,10	3,17	31,75
1810	---	111,10	3,17	12,20
4100	W2-4375-500	111,10	3,17	12,70
3076	---	112,00	3,00	20,00
4082	W2-4500-437	114,00	3,17	11,10
3522	---	114,00	3,17	20,00
1972	---	114,00	4,70	30,00
3329	W2-4500-500	114,30	3,17	12,70
3105	W2-4500-590	114,30	3,17	15,00
1216	W2-4500-625	114,30	3,17	15,88
3208	W2-4500-750	114,30	3,17	19,05
3829	W2-4500-1000	114,30	3,17	25,40
1366	W2-4500-1500	114,30	3,17	38,10
1282	---	114,30	4,76	25,40
1195	---	114,30	4,76	38,10
4840	---	115,00	1,50	15,00
5763	---	115,00	2,50	8,00
4382	---	115,00	2,50	9,50
3177	---	115,00	3,00	10,00
4597	---	115,00	3,00	15,00
3986	---	115,00	3,00	19,00
3175	---	115,00	4,00	10,00

Nº AGEL	REFERÊNCIA	Ø EXT.	SEÇÃO +0 - 0,13	H
AG7246	---	115,00	4,50	10,00
AG7273	---	115,00	5,00	10,00
3634	---	115,00	5,00	15,00
3853	---	115,40	3,17	6,30
AG7319	W2-4556-500	115,72	3,17	12,70
4456	---	116,36	3,17	15,88
AG7130	---	117,00	3,17	12,70
3831	---	117,80	2,55	13,00
AG7239	---	119,00	3,00	5,90
3523	---	120,00	2,50	8,00
4384	---	120,00	2,50	9,50
3968	---	120,00	2,50	15,00
4196	---	120,00	2,80	12,50
3488	---	120,00	3,00	15,00
3156	---	120,00	3,00	30,00
3666	---	120,00	3,00	35,00
AG7221	---	120,00	4,00	6,00
3524	---	120,00	4,00	8,00
4407	---	120,00	4,50	10,00
3168	---	120,00	4,50	15,00
3674	---	120,50	3,17	7,00
1759	---	120,50	3,40	9,50
4221	W2-4750-500	120,65	3,17	12,70
4705	W2-4750-750	120,65	3,17	19,05
4110	W2-4750-875	120,65	3,17	22,20
3703	W2-4750-1000	120,65	3,17	25,40
3828	---	124,90	2,95	13,00
3510	---	125,00	2,50	8,00
AG7815	---	125,00	2,50	9,50
5850	---	125,00	2,50	15,00
3172	---	125,00	3,00	10,00
1805	---	125,00	3,00	12,00
3020	---	125,00	3,00	13,00
3489	6W5-4921-590	125,00	3,00	15,00
1883	---	125,00	3,00	19,00
1407	6W5-4921-787	125,00	3,00	20,00
6925	---	125,00	3,17	12,70
1868	---	125,00	3,17	15,88
3511	---	125,00	4,00	8,00
3171	---	125,00	4,00	10,00

ANG

Anéis Guia de Nylon



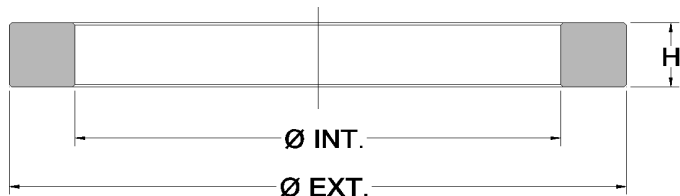
Medidas Nominais Milimétricas

Nº AGEL	REFERÊNCIA	Ø EXT.	SEÇÃO +0 - 0,13	H
AG7710	---	125,00	5,55	15,00
3845	---	126,00	3,00	19,00
1770	W2-5000-437	127,00	3,17	11,10
1765	W2-5000-500	127,00	3,17	12,70
1217	W2-5000-625	127,00	3,17	15,88
3638	W2-5000-750	127,00	3,17	19,05
4528	W2-5000-984	127,00	3,17	25,00
1294	W2-5000-1125	127,00	3,17	28,40
3704	W2-5000-1750	127,00	3,17	44,45
1360	---	127,00	3,20	39,00
3332	---	127,00	3,90	12,70
4556	---	127,00	4,00	10,00
1202	---	127,00	4,70	20,00
1742	---	127,00	4,70	30,10
1308	---	127,00	4,70	31,75
1201	---	127,00	4,70	38,10
3723	---	130,00	2,50	8,00
AG7356	---	130,00	2,50	15,00
3285	---	130,00	3,50	15,00
3897	---	130,00	3,50	24,00
3635	---	130,00	3,50	30,00
4845	---	130,00	3,50	40,00
4416	W2-5125-375	130,20	3,17	9,50
4688	---	132,08	2,54	63,50
AG7846	W2-5250-500	133,35	3,17	12,70
3043	W2-5250-625	133,35	3,17	15,88
4379	---	133,35	3,17	25,90
3985	---	134,00	3,00	19,00
4703	---	134,20	3,05	12,80
4381	---	134,50	3,30	9,50
3409	---	135,00	2,50	8,00
3169	---	135,00	3,50	15,00
3490	---	135,00	3,50	25,00
3410	---	135,00	4,00	8,00
3167	---	135,00	4,00	10,00
AG7274	---	135,00	5,00	10,00
3633	---	135,00	5,00	15,00
4330	W2-5437-500	138,00	3,17	12,70
4249	W2-5500-500	139,50	3,17	12,70
3709	W2-5500-625	139,50	3,17	15,88

Nº AGEL	REFERÊNCIA	Ø EXT.	SEÇÃO +0 - 0,13	H
1361	W2-5500-1250	139,50	3,17	31,75
1287	W2-5500-1750	139,50	3,17	44,40
3213	---	139,70	3,00	12,70
4032	---	140,00	2,50	9,50
AG7844	---	140,00	2,50	15,00
4739	---	140,00	3,00	15,00
3074	---	140,00	3,00	20,00
4393	---	140,00	3,50	20,00
4904	---	140,00	3,50	30,00
3636	---	140,00	3,50	35,00
4033	---	140,00	4,00	8,00
4621	---	140,00	5,00	15,00
AG8236	---	140,00	6,00	12,50
4237	W2-5562-625	141,30	3,17	15,88
3412	---	143,00	4,00	8,00
6928	---	143,30	3,17	12,70
3411	---	145,00	2,50	9,70
3943	W2-5750-500	146,00	3,17	12,70
3586	W2-5750-750	146,00	3,17	19,05
3846	---	147,00	3,00	19,00
4905	---	150,00	3,00	15,00
4822	---	150,00	3,50	20,50
4380	---	150,00	3,50	25,00
3424	---	150,00	4,90	15,00
3710	---	152,00	3,00	19,00
3705	W2-6000-500	152,40	3,17	12,70
1218	W2-6000-625	152,40	3,17	15,88
4106	W2-6000-1000	152,40	3,17	25,40
1932	W2-6000-1062	152,40	3,17	27,00
1358	W2-6000-1312	152,40	3,17	33,30
3668	W2-6000-1500	152,40	3,17	38,10
AG7384	W2-6000-375	152,40	3,17	9,50
1315	---	152,40	4,70	31,75
1207	---	152,40	4,70	38,10
3984	---	154,00	3,00	19,00
4101	---	157,00	3,00	20,00
3404	---	157,00	3,17	15,00
4323	---	158,75	3,50	12,70
4077	---	159,60	2,90	13,00
4889	---	160,00	3,00	15,00

AQB

Anel Quadrado de Borracha



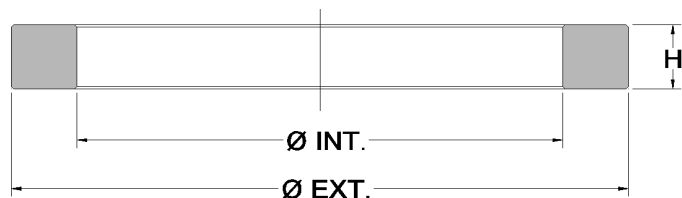
Medidas Nominais Milimétricas

Nº AGEL	USADO COM ATF	Ø INT.	Ø EXT.	H
N7565	---	3,00	19,00	3,00
N7825	---	3,20	9,80	4,00
N7826	---	3,20	10,00	2,70
N7549	---	3,40	14,70	3,50
N7560	---	4,00	14,00	3,00
N10024	---	4,20	6,00	0,70
N7626	---	4,20	13,50	3,00
N7372	---	4,50	12,00	2,00
9622	---	5,00	12,00	2,00
9622	---	5,00	12,00	2,00
N7666	---	5,00	14,00	4,30
6783	---	5,80	14,90	2,00
9116	---	6,00	10,00	2,00
N10275	---	6,10	8,40	3,80
N10069	---	6,14	10,71	5,94
N10042	---	6,20	10,20	6,00
N10028	---	6,50	11,00	2,00
N10038	---	6,50	14,80	3,40
9706	---	7,00	20,00	3,00
N10064	---	7,30	11,30	3,50
5042	---	7,50	11,00	1,70
N10085	---	7,50	15,50	2,00
N10068	---	7,60	11,50	2,80
N10066	---	7,70	11,50	1,80
6140	---	7,70	13,90	2,60
N10279	---	7,90	11,10	3,90
N10108	---	8,00	18,00	5,00
9294	---	8,60	12,00	1,50
5032	---	9,00	12,40	1,70
N10103	---	9,00	13,00	3,00
5109	---	9,70	16,00	3,20
AG8202	---	9,70	23,10	1,90
N7564	---	9,85	18,70	5,80
AG8209	---	10,20	21,20	8,00
9556	---	10,50	23,00	2,30
9654	---	10,70	14,30	2,20
5041	---	11,00	14,50	1,50
N10356	---	11,20	18,20	2,15
N10203	---	11,80	18,00	1,70
5033	---	12,00	15,00	1,50

Nº AGEL	USADO COM ATF	Ø INT.	Ø EXT.	H
N7390	---	12,00	20,00	1,20
AG8203	---	12,00	25,40	1,80
N10093	---	12,00	26,00	2,50
9159	---	12,40	19,00	3,30
N7551	---	12,50	18,80	2,50
N10107	---	13,00	22,00	0,40
AG7865	---	13,50	18,20	2,30
5031	---	14,00	19,40	2,70
4250	---	15,40	22,40	8,50
N10174	---	15,50	26,50	3,00
N7681	---	16,00	26,60	5,80
N10155	---	18,00	25,30	3,00
5393	---	18,40	21,00	1,50
9930	---	18,50	22,00	1,70
5054	---	19,00	25,50	3,20
AG8208	---	19,80	27,80	6,80
N10190	---	19,80	29,00	1,50
N10052	---	20,00	22,80	3,00
N10170	---	20,50	29,00	3,50
9151	---	21,00	24,00	3,00
5376	---	21,00	26,00	2,70
5344	---	21,50	26,50	2,70
N10183	---	21,50	29,00	1,50
9708	---	21,60	25,20	1,65
5174	---	22,20	28,60	3,20
5173	9014	22,80	34,20	3,50
N10048	---	23,00	30,40	6,50
9709	---	23,20	28,30	3,50
6007	---	23,40	27,00	1,80
N10168	---	24,00	30,00	3,00
9653	---	24,20	27,20	2,00
5050	---	25,00	29,00	2,00
9213	---	25,00	29,00	3,00
N10186	---	25,00	31,50	5,50
6262	---	25,00	31,60	3,50
5237	---	25,00	32,00	3,50
6888	6715	26,00	35,00	5,00
5439	---	26,70	38,70	3,00
AG7902	---	27,80	36,20	4,00
9484	9389	28,00	35,00	3,50

AQB

Anel Quadrado de Borracha



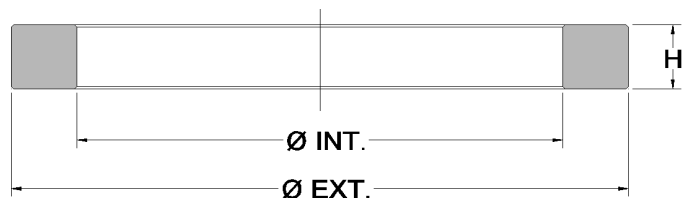
Medidas Nominais Milimétricas

Nº AGEL	USADO COM ATF	Ø INT.	Ø EXT.	H
N10053	---	28,00	38,50	5,00
9840	---	28,50	35,50	3,60
N10187	---	28,50	39,50	9,00
9593	---	30,30	35,30	2,00
5360	---	30,70	36,10	2,70
5182	---	31,70	37,80	6,50
N10184	---	31,70	40,00	2,00
6722	---	32,00	44,50	2,50
5046	---	32,50	37,50	2,50
AG7559	---	35,00	41,00	15,00
6863	---	35,00	45,60	5,00
3376	---	35,80	41,00	5,40
5691	5688	36,20	46,00	5,30
5400	1107	36,30	46,30	5,00
N10182	---	36,80	41,80	7,00
AG7991	9932	37,20	47,00	5,00
5630	---	37,40	45,00	1,00
6814	---	38,40	45,00	3,60
6826	---	38,70	45,60	3,60
9973	---	39,00	41,60	1,80
5341	---	39,00	44,00	2,50
1433	---	39,00	60,00	10,00
6033	---	39,40	50,40	3,00
5546	---	40,70	47,70	7,00
N10181	---	41,20	49,20	10,00
5942	---	41,30	54,30	2,40
4252	---	42,00	50,00	6,50
5631	---	42,30	53,60	2,80
9054	5122	42,80	48,00	2,60
9505	9506	43,60	56,60	5,00
AG7497	---	44,00	50,80	2,30
6045	---	44,00	55,00	3,00
AG7444	AG7787	44,00	56,00	5,00
6717	6716	44,15	57,35	6,50
4796	---	44,50	56,50	10,00
4796	---	44,50	56,50	10,00
3378	---	45,00	50,00	5,00
N10278	---	45,00	52,30	7,30
6690	---	45,10	47,90	1,30
N10180	---	45,20	52,20	13,00

Nº AGEL	USADO COM ATF	Ø INT.	Ø EXT.	H
9352	---	45,50	50,50	2,50
1274	1110	45,50	55,50	5,00
5450	---	46,10	50,50	1,80
AG7628	---	46,70	58,50	4,50
9351	---	46,80	50,00	1,60
9971	---	47,00	51,60	2,50
N10312	---	47,00	54,00	2,00
5628	---	48,00	63,00	1,50
AG7123	---	49,00	53,80	3,00
AG7558	---	49,00	55,20	15,00
1271	1103/6247/1402	49,00	59,00	5,00
9972	---	49,50	52,50	2,00
5964	---	49,50	60,00	3,00
AG7344	---	50,00	53,00	1,50
9254	---	50,00	56,60	2,35
AG7637	---	50,17	60,49	5,16
9462	---	51,40	58,00	3,10
N10111	---	51,60	57,60	7,50
9587	6500	51,60	66,00	5,00
N7799	---	52,00	56,00	1,30
6001	---	52,00	57,00	2,50
5080	5198	52,80	59,60	3,50
5390	5198	53,00	58,00	3,20
AG7972	---	53,40	58,40	5,30
AG8309	AG8318	53,50	71,10	6,50
6231	---	54,00	66,00	5,30
1726	5207	54,40	60,40	2,50
5965	---	54,50	65,00	3,00
6871	---	54,70	60,70	3,20
6135	---	56,00	62,40	3,25
N127066	---	56,00	63,80	6,00
5898	---	56,00	66,00	3,00
1899	1898/3155/6500	56,00	66,00	5,00
6989	---	56,50	62,10	5,00
5034	---	56,70	61,70	2,50
6719	5291/6718	56,85	70,00	6,50
5542	---	57,20	62,20	2,50
AG7571	---	57,50	63,70	14,00
N10169	---	58,00	61,00	1,50
AG8081	---	58,00	65,40	3,40

AQB

Anel Quadrado de Borracha



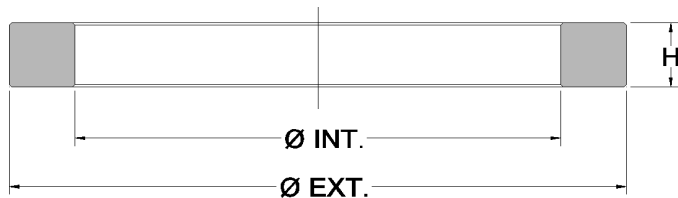
Medidas Nominais Milimétricas

Nº AGEL	USADO COM ATF	Ø INT.	Ø EXT.	H
5655	AG7280	58,00	70,00	6,00
6479	6478	58,00	74,00	6,30
AG7255	AG7264	58,30	63,50	2,60
1267	1109/1682	58,60	68,60	5,00
1246	1119/6494	58,70	71,90	5,00
6769	---	58,80	69,80	3,00
6400	6399	59,00	65,00	4,00
AG7470	AG7472	59,00	70,50	5,50
AG7498	---	59,80	64,20	3,70
AG8319	---	59,80	69,80	5,80
6203	5291	59,80	69,80	7,00
1349	---	61,20	66,40	5,40
6489	6494	61,40	70,80	5,00
1313	1306	62,00	72,00	3,70
1278	1100/5129/AG7280	62,00	72,00	5,00
AG7030	---	62,30	68,70	3,20
N10297	---	62,50	72,10	5,50
5350	---	63,00	69,80	3,40
5766	---	63,10	68,10	2,50
6191	6192	63,30	77,90	7,30
1378	---	64,00	70,00	3,00
N10189	---	64,00	76,00	6,00
5196	---	64,30	69,30	2,50
1376	---	64,80	74,40	2,00
5235	---	65,60	70,60	5,40
9970	---	66,00	70,00	3,00
6786	---	66,00	71,00	2,50
AG7533	---	66,00	72,00	3,50
1336	5415	66,00	76,00	5,00
AG7505	---	66,00	76,70	3,70
6134	---	66,80	71,20	2,50
1277	1095/5415/4325	67,60	78,00	5,20
6359	---	67,70	78,70	3,60
6667	---	68,15	77,15	3,65
3471	---	68,20	75,80	3,70
5798	5797	69,00	84,00	7,50
5218	---	69,50	76,50	3,50
AG7729	---	69,50	79,50	3,50
AG8035	AG7189	69,50	82,50	6,40
6653	4145/AG7189	69,50	82,50	7,50

Nº AGEL	USADO COM ATF	Ø INT.	Ø EXT.	H
9578	9577	70,30	83,50	5,40
1266	1111	71,00	81,00	5,00
1392	---	72,00	82,60	3,00
1371	---	72,00	83,00	2,00
N10067	---	72,25	83,10	9,00
5121	---	72,50	79,30	3,40
3532	---	72,60	82,80	2,50
6228	AG7790	73,40	86,00	5,40
1350	---	73,60	80,00	3,20
1312	1305	73,60	83,00	3,60
4167	4168	73,95	84,15	6,90
N7345	---	74,00	82,00	3,00
AG8097	AG8098	74,00	91,00	6,50
1245	1112	74,30	87,70	5,20
3570	---	74,50	85,90	10,00
5228	---	75,20	82,40	3,60
1252	1102/3310/5646/650	75,20	85,40	5,10
N10176	---	75,30	78,30	1,50
N10158	---	75,50	81,50	3,00
1352	---	76,60	82,00	5,40
N10043	---	76,70	84,10	5,10
3312	---	77,40	87,80	4,00
6223	AG7791	77,80	93,80	7,10
5426	---	78,30	84,90	3,30
6280	---	78,50	83,30	2,40
N10258	---	78,50	84,70	3,00
5634	1096/5645	80,00	95,80	6,70
N10259	---	80,40	88,40	3,00
3203	3201	81,20	91,40	5,20
9100	---	81,40	84,40	1,50
9798	---	81,50	85,30	2,00
9821	---	82,00	87,00	2,50
1279	1096	82,00	96,00	6,50
5692	5689	82,30	95,00	6,35
1310	1303	82,50	94,50	4,40
1690	1303/3287/1108	82,70	96,30	5,00
1265	1108/1303	83,60	93,60	5,20
1399	---	84,00	88,00	3,00
5331	---	84,00	91,00	4,60
AG7534	---	84,20	90,20	3,50

AQB

Anel Quadrado de Borracha



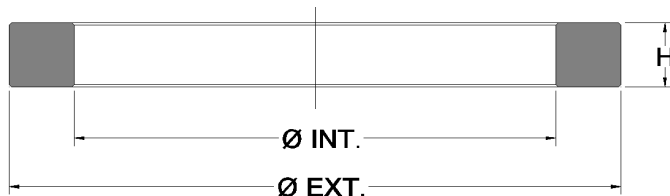
Medidas Nominais Milimétricas

Nº AGEL	USADO COM ATF	Ø INT.	Ø EXT.	H
N7824	---	85,00	107,00	6,00
1200	092/5179/3689/6503	86,70	96,90	5,10
6107	6105	87,50	93,50	6,50
1965	1964/AG7789	87,60	104,00	6,35
AG7638	---	88,27	98,59	5,16
N10229	---	88,30	97,50	1,50
5592	---	89,50	94,50	3,30
5593	---	90,00	96,00	3,00
5090	---	90,00	96,80	3,40
1283	1098/3311	90,00	103,00	5,10
N10162	---	92,60	101,60	7,00
1280	1093/6116	92,70	105,30	6,60
3204	3202/6116	94,00	104,00	5,00
AG8102	---	94,00	110,60	7,00
5693	5690	94,80	107,00	6,10
6892	5690	94,95	108,15	6,50
3322	---	95,50	111,60	12,40
AG7504	AG7573	95,90	108,90	5,00
N10274	---	96,50	102,90	3,70
9768	---	96,60	100,60	2,70
AG7116	---	96,70	101,50	3,00
1295	1288/1104	97,40	108,80	5,00
AG7379	---	97,50	102,50	3,80
1903	---	97,70	105,70	4,00
AG7102	---	97,80	115,00	6,50
AG7131	AG7129	98,00	111,00	6,50
AG7819	AG7818	98,00	114,50	6,40
N10185	---	98,40	108,40	5,60
AG7992	AG7129	98,60	110,60	6,30
6439	AG7786	98,80	113,80	7,00
AG7117	---	99,00	104,00	2,70
N10171	---	99,00	109,00	7,00
AG8321	---	100,00	104,00	2,00
5594	---	100,00	106,40	3,20
5429	---	100,40	107,00	3,50
1286	1104/5647/6504/5554	101,00	111,00	5,00
AG7343	---	101,40	104,60	2,70
1248	---	102,50	112,70	3,50
6649	---	103,00	119,50	6,50
5607	3512	103,30	117,30	7,00

Nº AGEL	USADO COM ATF	Ø INT.	Ø EXT.	H
3021	3022	103,40	119,60	6,30
1296	1289	104,00	116,00	4,70
AG7639	---	105,00	111,60	3,45
AG7430	---	105,00	112,00	3,90
6899	3022	105,66	118,85	6,50
6304	6306	106,00	123,00	6,00
1257	---	106,60	113,60	3,50
AG7205	5680	107,65	120,65	6,50
6847	---	107,70	114,60	3,45
1907	---	107,80	121,00	5,00
1309	1101	108,00	123,00	7,70
1281	1101	108,20	122,00	6,50
5681	5680	108,50	120,70	6,10
5974	---	109,00	118,00	6,60
1272	1268/1870	109,00	119,40	5,00
6160	---	110,00	115,00	1,80
N7737	---	110,00	118,00	0,80
3233	5736	110,00	118,00	5,00
AG7441	AG7785	110,00	125,00	7,00
6137	---	111,00	122,60	3,30
6143	6142	112,00	125,00	4,50
5714	AG7110	113,20	119,20	6,30
1887	---	113,50	121,50	4,00
1285	1099/6502	113,60	123,80	5,00
AG7337	---	113,70	118,70	2,50
9822	---	114,00	120,80	3,40
6541	6540	114,00	130,50	6,40
AG8080	---	114,20	127,20	6,50
5467	1318	116,00	126,20	5,10
9192	---	116,50	130,30	3,00
3018	1654	118,50	135,00	6,50
N10031	---	119,00	124,80	6,00
1269	---	120,00	130,20	3,10
AG7177	---	120,00	132,00	2,40
6889	1654	120,35	133,55	6,50
1297	1290	120,50	136,10	7,60
AG7372	AG7371	121,90	132,30	5,20
6927	---	124,30	137,30	6,50
AG7054	---	125,40	133,00	6,50
	---	126,00	133,00	3,50

ARU

Arruela de PU



Medidas Nominais Milimétricas

8	11	8	8,00	8,00	#	8	11,00	8,00	8,00	8,00
Nº AGEL	REFERÊNCIA	Ø INT.	Ø EXT.	H		Nº AGEL	REFERÊNCIA	Ø INT.	Ø EXT.	H
6533	---	12,70	19,70	2,80		3578	---	62,50	80,00	4,70
9118	---	24,70	26,70	2,45		1330	---	62,50	80,00	4,80
AG8059	---	25,00	38,00	5,80		1982	---	62,80	77,60	3,00
5977	---	25,40	33,30	3,20		6238	---	63,00	76,00	4,30
6834	---	25,80	32,00	3,10		AG7413	---	63,10	79,30	4,80
5068	---	31,90	41,70	4,90		1259	---	64,20	82,30	5,00
6186	---	32,40	42,50	3,00		6861	---	67,80	77,00	1,60
6742	---	32,65	37,45	1,35		1333	---	69,50	86,60	4,80
9895	---	34,80	47,50	6,35		3006	---	70,00	76,20	4,30
9839	---	36,30	41,10	4,00		1897	---	70,40	89,80	6,35
1334	---	38,25	52,35	3,00		5304	---	70,60	85,20	3,00
3580	---	38,25	52,35	3,00		3577	---	74,00	57,00	4,70
AG7403	---	38,30	51,40	3,00		AG7723	---	75,00	95,00	3,00
6239	---	40,00	48,00	3,00		1260	---	75,90	92,90	5,50
5469	---	40,30	48,60	3,00		1031	---	78,80	88,70	2,60
1254	---	41,30	51,80	3,00		AG7420	---	81,50	90,00	1,75
1601	---	41,60	56,00	3,00		9325	---	84,80	90,20	1,50
9323	---	41,80	47,10	1,50		AG7585	---	86,90	92,40	1,40
6832	---	41,80	50,80	1,50		1038	---	89,40	102,40	2,40
3211	---	43,00	54,60	2,00		6784	---	89,70	98,60	1,55
1255	---	44,40	59,00	3,00		3300	---	89,80	100,40	5,00
AG7399	---	44,65	57,75	3,00		6910	---	90,00	100,00	2,40
1728	---	44,80	60,50	7,90		9326	---	90,10	95,10	1,50
6829	---	45,00	50,80	1,00		AG7577	---	93,00	102,40	1,40
6833	---	45,15	51,15	1,00		AG7417	---	101,60	110,00	1,75
5035	---	49,50	64,60	3,00		5268	---	101,70	107,60	1,30
AG7170	---	50,00	62,00	3,20		AG7421	---	106,30	114,70	1,75
5166	---	50,50	58,70	3,00		AG7763	---	111,30	117,10	1,00
AG7409	---	51,00	64,00	3,00		1757	---	113,40	126,40	2,40
AG7220	---	51,20	63,50	6,30		AG7018	---	114,60	119,60	1,35
1332	---	51,20	66,00	3,00		6785	---	115,30	124,40	1,55
3579	---	51,20	66,00	3,00		5674	---	119,85	129,85	2,00
1730	---	51,30	67,10	8,00		AG7418	---	125,50	134,10	1,75
6237	---	56,00	73,00	4,50		AG7422	---	131,50	139,90	1,75
1729	---	56,70	72,20	7,90		4236	---	138,50	142,70	5,60
1966	---	56,80	70,20	3,50		5675	---	139,50	149,50	2,00
1270	---	57,00	74,00	4,70		5661	---	146,00	161,00	2,90
AG7714	---	57,00	74,80	2,10		AG7764	---	152,85	158,65	1,00
6670	---	57,30	71,70	2,10		AG7019	---	215,20	229,80	2,10
9324	---	58,40	64,00	1,50						

ATF

Anel de PTFE



Medidas Nominais Milimétricas

Nº AGEL	USADO C/ AQB	Ø EXT	H	W	COR
9700	-	6,00	1,20	1,60	BR
9721	-	6,20	2,20	1,55	BR
9021	-	7,00	1,30	1,40	BR
9975	-	7,50	12,50	1,30	BR
9023	-	8,00	1,20	1,10	BR
9533	-	9,00	1,70	0,60	BR
AG7583	-	9,60	2,50	1,30	MR
9355	-	9,80	1,80	1,50	BR
9485	-	10,00	1,90	1,00	MR
9262	-	10,00	1,90	2,00	BR
5243	-	11,30	1,90	0,80	BR
9261	-	11,40	2,20	1,50	BR
9740	-	12,00	3,50	2,00	BR
AG8129	-	12,10	2,00	1,20	MR
8109	-	12,20	1,20	2,20	BR
9759	-	12,20	1,90	0,60	AZ
9095	-	12,50	3,40	2,00	BR
9962	-	12,70	1,80	0,80	BR
9757	-	12,70	3,50	2,50	CZ
9872	-	13,00	0,60	1,00	BR
9464	-	13,20	1,75	0,65	BR
9530	-	13,50	0,80	0,80	BR
9457	-	13,70	1,60	1,10	BR
9492	-	13,70	2,10	2,45	AZ
9224	-	14,00	0,60	1,50	BR
9296	-	14,00	1,30	1,50	BR
AG7627	-	14,27	1,35	2,18	MR
9864	-	14,50	1,15	2,00	BR
9298	-	14,50	1,30	1,50	VM
9301	-	15,20	1,00	1,60	BR
9328	-	15,20	1,30	2,00	BR
9777	-	15,50	1,40	1,40	BR
5532	-	15,50	3,00	1,20	MR
5403	-	16,00	1,20	2,20	BR
5427	-	16,00	1,30	2,20	BR
9966	-	16,30	3,00	1,65	MR
9432	-	16,40	1,75	0,65	BR
9455	-	16,60	1,20	1,30	BR
9411	-	18,50	0,85	1,35	BR
9519	-	18,50	1,20	1,35	BR

Nº AGEL	USADO C /AQB	Ø EXT.	H	W	COR
5062	-	19,00	1,00	2,20	BR
5392	-	19,00	1,30	2,20	BR
AG8116	-	19,50	3,00	1,80	MR
9744	-	19,60	3,20	1,80	BR
5282	-	20,00	0,50	2,10	BR
5521	-	20,00	1,30	2,00	BR
9452	-	20,00	2,00	0,80	AZ
9063	-	20,00	2,00	1,00	BR
9992	-	20,20	2,00	1,30	BR
9615	-	20,20	3,30	1,30	BR
9752	-	20,40	2,30	1,60	VM
9302	-	21,00	1,00	1,60	BR
5541	-	22,00	0,80	2,00	BR
9218	-	22,00	1,00	2,30	BR
9881	-	22,00	1,20	1,35	BR
5211	-	22,00	1,20	1,50	BR
9236	-	22,00	1,30	2,00	BR
9667	-	22,00	1,80	0,80	MR
9456	-	22,00	1,90	1,00	BR
9532	-	22,00	2,20	1,00	BR
5229	-	22,00	2,30	1,50	MR
5902	-	22,50	0,70	2,50	BR
5285	-	22,50	1,80	1,80	BR
9987	-	22,70	1,80	1,20	BR
5986	-	22,70	2,20	1,75	BR
9020	-	23,50	0,80	1,40	BR
9022	-	23,50	1,20	1,40	BR
9756	-	23,50	2,30	1,35	BR
8116	-	23,79	1,34	2,18	BR
9274	-	24,00	1,10	1,80	BR
9883	-	24,00	1,50	4,13	MR
5213	-	24,00	2,20	1,00	BR
6593	-	24,30	1,30	2,00	BR
9520	-	24,30	1,50	1,55	BR
9453	-	24,70	1,60	1,60	AZ
9158	-	24,80	1,10	2,00	BR
9801	-	24,80	1,10	2,00	BR
9141	-	25,00	3,80	1,00	CZ
9550	-	25,20	4,70	1,75	CZ
9138	-	25,30	1,70	1,50	BR

ATF

Anel de PTFE



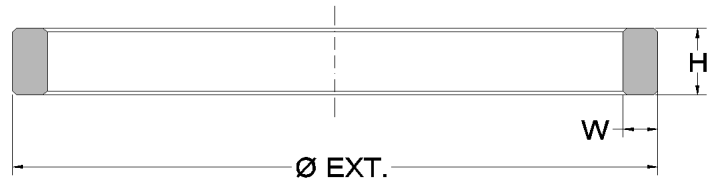
Medidas Nominais Milimétricas

Nº AGEL	USADO C/ AQB	Ø EXT	H	W	COR
9947	-	25,30	3,00	1,50	BR
5265	-	25,40	0,80	3,30	BR
8020	-	25,40	1,20	1,50	BR
5547	-	25,40	1,20	2,50	BR
9019	-	25,40	3,10	2,00	BR
9596	-	25,40	3,20	1,80	BR
9749	-	25,50	3,00	1,60	MR
AG7832	-	25,75	1,50	4,00	MR
9017	-	26,00	1,20	1,50	BR
9034	-	26,00	2,00	1,30	BR
9886	-	26,00	2,50	5,00	MR
9299	-	26,50	0,80	3,00	BR
5252	-	26,50	1,00	2,00	BR
5316	-	26,50	1,00	2,60	BR
9451	-	26,50	2,00	0,80	AZ
5644	-	26,97	25,00	2,32	MR
5616	-	27,00	1,30	3,00	BR
9319	-	27,00	2,00	2,50	BR
AG8171	-	27,00	3,20	1,50	MR
9185	-	27,30	1,00	2,00	BR
AG7260	-	27,50	2,00	1,25	AZ
9889	-	27,75	1,50	4,00	MR
5081	-	28,00	1,50	2,00	BR
AG7833	-	28,00	1,90	5,00	MR
9609	-	28,00	3,20	1,85	BR
AG8019	-	28,40	3,00	1,83	MR
9097	-	28,50	1,80	1,15	CZ
9454	-	28,50	2,00	1,30	BR
9915	-	28,50	4,00	1,85	BR
8022T	-	28,56	1,24	1,35	BR
9669	-	28,70	1,40	1,35	BR
AG8115	-	28,95	3,00	1,55	MR
9143	-	29,00	1,65	3,10	BR
9029	-	29,00	1,90	1,75	BR
AG7259	-	29,00	2,00	1,40	CZ
9536	-	29,00	2,30	1,50	BR
9574	-	30,00	0,80	1,80	BR
9892	-	30,00	1,90	5,00	MR
5232	-	30,00	2,40	1,00	BR
9145	-	30,00	2,50	1,95	BR

Nº AGEL	USADO C /AQB	Ø EXT.	H	W	COR
9032	-	30,50	2,00	1,80	MR
5244	-	30,80	0,80	2,00	BR
9233	-	31,00	1,30	3,00	BR
9295	-	31,50	3,00	0,80	BR
9809	-	31,70	6,70	2,20	BR
5486	-	31,80	1,30	3,00	BR
AG8222	-	32,00	0,80	1,85	BR
9098	-	32,00	1,90	1,70	MR
5996	-	32,00	2,50	1,85	BR
AG8287	-	32,00	2,80	2,20	BR
9943	-	32,00	3,00	1,70	MR
5950	-	32,00	3,50	1,80	BR
5125	-	32,00	4,00	2,20	BR
6246	-	32,00	4,00	3,00	MR
AG8117	-	32,10	3,00	1,85	MR
9948	-	32,40	3,00	2,00	BR
9039	-	32,50	2,00	4,20	BR
9435	-	32,50	2,20	1,55	BR
9717	-	32,60	1,80	0,95	BR
9434	-	32,70	2,50	1,85	BR
9048	-	33,00	2,20	0,80	BR
9240	-	33,00	2,50	2,00	VD
9300	-	33,20	1,20	2,00	BR
9026	-	33,30	4,30	4,30	BR
5223	-	33,40	0,50	8,30	BR
9866	-	33,40	1,80	1,50	CZ
9993	-	34,00	2,10	2,20	CZ
9028	-	34,00	3,50	1,00	BR
9859	-	34,40	1,00	4,50	BR
AG8312	-	35,00	1,30	2,65	BR
9038	-	35,00	2,00	1,40	BR
9528	-	35,00	2,00	2,65	BR
9134	-	35,00	2,50	1,80	AZ
AG8206	-	35,00	5,00	1,80	CZ
9762	-	35,20	4,00	1,35	BR
9439	-	35,50	1,50	1,50	CZ
6259	-	35,50	2,20	2,00	BR
9913	-	35,50	2,20	2,00	BR
9843	-	35,50	5,00	2,00	BR
AG8286	-	35,50	6,00	2,00	BR

ATF

Anel de PTFE



Medidas Nominais Milimétricas

Nº AGEL	USADO C / AQB	Ø EXT	H	W	COR	Nº AGEL	USADO C / AQB	Ø EXT.	H	W	COR
1123	-	35,75	45,00	2,00	BR	9440	-	38,50	2,20	1,90	BR
9070	-	35,80	1,90	1,90	CZ	9682	-	38,70	2,30	1,50	BR
9093	-	36,00	1,70	1,50	MR	AG7416	-	38,80	1,80	3,40	CZ
9436	-	36,00	1,90	1,50	AZ	AG7858	-	39,00	2,00	1,80	AZ
AG7322	-	36,00	2,30	1,60	MR	9750	-	39,00	3,00	1,80	MR
AG8177	-	36,00	3,20	1,50	MR	5548	-	39,00	3,70	2,00	BR
5751	-	36,00	4,10	6,90	BR	9461	-	39,50	2,00	1,70	BR
9221	-	36,20	2,50	1,75	AZ	9823	-	39,80	3,00	2,10	AZ
9551	-	36,50	0,80	2,20	BR	9389	9484	39,90	4,50	3,20	BR
AG7089	-	36,50	1,90	1,50	CZ	9076	-	40,00	0,80	2,50	BR
9984	-	36,70	2,80	1,50	CZ	9534	-	40,00	1,30	2,40	BR
9713	-	37,10	2,50	2,00	MR	5503	-	40,00	1,40	2,00	BR
AG7261	-	37,20	2,00	1,25	BR	9322	-	40,00	1,50	2,50	BR
9172	-	37,20	2,40	1,75	BR	5292	-	40,00	1,50	3,00	BR
9707	-	37,30	1,00	1,65	BR	9092	-	40,00	1,95	1,50	BR
9714	-	37,30	2,00	1,65	MR	9037	-	40,00	2,00	1,30	BR
9459	-	37,50	4,00	1,30	BR	9142	-	40,00	2,00	1,90	VD
AG7395	-	38,00	1,85	1,45	MR	9175	-	40,00	2,30	2,30	BR
9200	-	38,00	1,90	1,75	AZ	9132	-	40,00	2,50	1,75	VD
9133	-	38,00	1,90	1,85	VD	9852	-	40,00	4,00	2,30	BR
9986	-	38,00	1,90	2,25	CZ	9545	-	40,00	4,50	1,25	BR
9117	-	38,00	2,00	1,10	VD	9010	-	40,00	4,70	2,00	BR
9036	-	38,00	2,00	1,30	BR	5520	-	40,00	4,80	2,00	BR
9379	-	38,00	2,20	1,50	BR	5524	-	40,00	5,00	1,70	BR
9800	-	38,00	2,20	1,85	AZ	6715	-	40,00	6,00	2,40	CZ
AG7321	-	38,00	2,20	2,00	MR	9753	-	40,15	2,50	1,70	BR
9521	-	38,00	2,30	2,50	CZ	AG7244	-	40,30	2,50	1,80	VD
9008	-	38,00	2,50	1,50	BR	9144	-	40,30	4,35	3,10	BR
9009	-	38,00	4,00	2,50	BR	6849	-	40,30	4,50	3,80	BR
9838	-	38,00	9,50	2,50	MR	9689	-	40,40	3,90	2,60	MR
5554	-	38,10	3,00	2,20	BR	9794	-	40,60	2,00	1,30	BR
9055	-	38,10	3,50	2,50	BR	9049	-	40,80	1,90	1,90	CZ
5210	-	38,10	3,50	3,00	BR	9195	-	41,00	1,00	3,00	BR
5440	-	38,10	3,50	3,00	MR	9030	-	41,00	2,50	1,90	VD
9959	-	38,10	4,00	2,80	MR	9094	-	41,40	2,30	2,20	BR
9724	-	38,20	1,95	2,35	MR	9989	-	41,50	1,85	2,00	AZ
9014	5173	38,20	4,10	3,00	BR	9529	-	41,50	2,00	1,10	BR
AG8140	-	38,30	1,80	1,70	AZ	9522	-	41,50	2,00	1,85	MR
5502	-	38,50	1,20	2,00	BR	6070	-	41,50	2,00	2,80	BR
9381	-	38,50	2,00	1,50	BR	9441	-	41,50	2,30	2,25	LJ

ATF

Anel de PTFE



Medidas Nominais Milimétricas

Nº AGEL	USADO C/ AQB	Ø EXT	H	W	COR	Nº AGEL	USADO C /AQB	Ø EXT.	H	W	COR
9052	-	41,50	2,50	1,75	CZ	9120	-	45,00	3,50	1,80	BR
AG7341	-	41,50	2,50	1,85	VM	5263	-	45,00	4,00	2,20	BR
9525	-	41,50	3,50	1,75	BR	9931	-	45,00	4,00	2,50	MR
9217	-	41,50	4,60	2,50	BR	5949	-	45,00	4,50	2,20	BR
AG7561	-	41,60	3,00	1,60	CZ	AG8088	-	45,05	4,00	2,68	MR
9090	-	41,70	2,00	1,60	BR	9824	-	45,30	2,00	1,75	CZ
9688	-	41,80	5,30	2,50	BR	9480	-	45,50	2,00	1,60	AZ
9448	-	42,00	2,00	2,00	BR	9699	-	45,60	3,70	4,50	BR
AG7394	-	42,00	2,40	1,50	AZ	9518	-	45,70	1,80	1,80	MR
9238	-	42,00	3,00	2,20	BR	5905	-	46,00	6,10	3,30	MR
AG7916	-	42,10	1,95	1,95	MR	9553	-	46,20	1,90	1,85	MR
1124	-	42,10	45,00	2,00	BR	5454	-	46,20	2,50	2,35	CZ
AG7340	-	42,70	1,90	1,60	MR	9478	-	46,40	2,10	1,60	BR
5357	-	42,70	2,50	2,45	CZ	9599	-	46,50	1,30	3,00	BR
AG7235	-	42,80	2,15	1,60	BR	9605	-	46,50	2,40	3,00	BR
9693	-	42,80	3,00	1,60	VD	9033	-	47,60	2,70	1,80	BR
9263	-	42,90	2,00	1,85	VM	9027	-	47,70	2,80	1,70	AZ
6048	-	42,90	2,20	1,85	CZ	9466	-	47,80	2,00	1,90	BR
9988	-	43,00	1,50	2,00	BR	9121	-	48,00	2,00	1,00	BR
9994	-	43,00	2,40	1,25	CZ	9867	-	48,00	2,50	1,75	CZ
9831	-	43,00	2,40	2,50	MR	9140	-	48,00	2,90	1,80	AZ
9259	-	43,30	2,00	1,35	BR	9442	-	48,00	2,90	1,90	VD
AG7339	-	43,40	2,00	1,70	AZ	9187	-	48,00	3,90	2,70	MR
9524	-	43,50	2,00	1,00	BR	5615	-	48,00	6,00	2,70	BR
9513	-	43,60	2,50	1,80	AM	9488	-	48,40	2,00	1,80	BR
9477	-	44,00	2,50	1,80	BR	9243	-	48,50	1,30	2,50	BR
6021	-	44,00	4,50	2,00	MR	9803	-	48,50	2,90	2,25	BR
6640	-	44,20	3,00	3,00	BR	9664	-	48,70	2,00	1,25	CZ
AG7159	-	44,30	2,00	1,75	BR	9705	-	48,90	2,40	2,30	MR
9035	-	44,40	1,60	6,30	BR	5374	-	49,20	2,50	1,80	BR
9339	-	44,40	2,60	1,70	BR	8132T	-	49,50	1,20	2,00	BR
6248	-	44,45	3,20	1,60	BR	9438	-	49,70	2,40	1,60	AZ
5097	-	44,45	3,80	2,30	BR	9007	-	50,00	2,00	1,30	BR
5455	-	44,45	4,50	3,20	BR	AG7320	-	50,00	2,20	1,90	MR
5340	-	44,50	1,20	2,50	BR	9338	-	50,00	2,50	2,00	MR
5861	-	44,50	3,00	1,60	BR	AG7614	-	50,00	4,00	2,65	MR
9985	-	44,70	2,00	1,85	CZ	3073	-	50,00	4,60	2,00	BR
9463	-	45,00	2,00	1,30	BR	5982	-	50,00	4,70	2,00	MR
9119	-	45,00	2,00	2,55	BR	5688	5691	50,00	6,00	2,40	CZ
1696	-	45,00	2,30	2,50	BR	6577	-	50,00	6,00	3,00	BR

ATF

Anel de PTFE



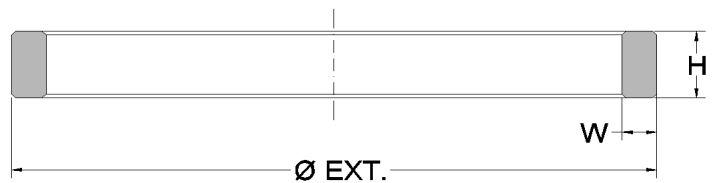
Medidas Nominais Milimétricas

Nº AGEL	USADO C/ AQB	Ø EXT	H	W	COR
AG7241	-	50,20	2,50	1,75	BR
9842	-	50,20	4,10	2,50	CZ
AG7090	-	50,50	2,15	1,60	BR
9101	-	50,50	3,50	3,65	MR
9606	-	50,50	6,10	2,50	BR
9016	-	50,80	1,10	1,90	BR
9616	-	50,80	1,90	1,90	BR
9360	-	50,80	2,00	1,75	VM
AG7494	-	50,80	3,00	1,60	CZ
5293	-	50,80	3,00	3,00	BR
5859	-	50,80	3,20	1,60	BR
6578	-	50,80	3,50	3,20	MR
5511	-	50,80	4,50	3,15	BR
6244	-	50,80	4,50	3,80	MR
9932	AG7991	50,80	6,00	1,90	CZ
6058	-	51,00	2,00	1,00	BR
5988	-	51,00	2,00	2,00	BR
9135	-	51,00	2,50	1,60	BR
6337	-	51,00	2,90	1,60	MR
9564	-	51,00	4,20	2,00	BR
AG8020	-	51,20	4,00	2,80	MR
9862	-	51,30	4,00	1,30	MR
6743	-	51,40	3,90	2,60	MR
9215	-	51,50	2,10	1,50	AZ
9467	-	51,50	2,20	1,30	BR
9954	-	51,50	3,80	2,20	BR
AG7493	-	51,60	2,00	3,70	LJ
6681	-	51,70	1,20	3,00	BR
5372	-	52,00	1,50	4,80	BR
6071	-	52,00	2,00	1,25	VD
5122	9054	52,00	3,20	2,00	MR
5990	-	52,00	3,80	1,00	BR
5523	-	52,00	3,80	2,00	BR
1107	5400	52,00	6,30	3,00	BR
5735	-	52,40	4,00	2,80	MR
9081	-	53,00	2,20	2,20	BR
5995	-	54,00	2,00	2,00	BR
5413	-	54,00	3,00	1,70	BR
9087	-	54,00	3,00	3,20	BR
5296	-	54,00	3,50	3,20	BR

Nº AGEL	USADO C /AQB	Ø EXT.	H	W	COR
1125	-	54,80	45,00	2,00	BR
AG7463	-	55,00	1,30	2,50	LJ
6034	-	55,00	2,00	1,70	BR
AG7575	-	55,00	3,90	2,80	MR
5879	-	55,50	4,00	2,60	BR
9554	-	55,50	4,00	2,60	MR
9260	-	56,50	1,70	4,50	LJ
9289	-	57,00	0,90	7,20	BR
9447	9352	57,00	4,60	3,20	CZ
AG7118	-	57,15	3,20	1,40	BR
9944	-	57,30	2,90	2,70	MR
9849	-	57,30	3,80	2,70	CZ
AG7696	-	57,40	3,00	1,60	BR
9733	-	57,40	3,00	3,20	BR
6288	-	57,50	4,00	2,80	MR
5993	-	58,00	3,60	1,00	MR
3004	-	58,00	3,80	2,00	MR
6666	-	58,00	4,20	2,00	BR
9743	-	59,00	1,30	2,50	BR
9378	-	59,00	2,00	1,75	MR
9031	-	59,90	1,90	2,95	BR
AG8000	-	60,00	1,40	2,85	BR
5750	-	60,10	1,90	2,90	BR
5488	-	60,30	3,00	3,00	BR
6213	-	60,40	4,00	3,00	BR
9681	-	60,80	2,20	1,80	AZ
3648	-	60,80	4,00	2,70	MR
9761	-	60,80	4,00	2,85	MR
6725	-	60,90	2,90	3,00	BR
5987	-	61,00	1,50	5,20	BR
AG7787	AG7444	61,00	6,00	2,70	MR
AG7993	-	61,50	8,00	2,90	CZ
5257	-	63,00	2,10	6,20	BR
5908	-	63,00	3,80	2,80	MR
6245	-	63,00	4,50	3,80	MR
9832	-	63,20	1,30	3,00	CZ
6289	-	63,40	3,00	1,85	MR
5207	1726	63,50	3,00	1,50	BR
AG8104	-	63,50	3,00	2,60	MR
5510	-	63,50	3,00	3,00	BR

ATF

Anel de PTFE



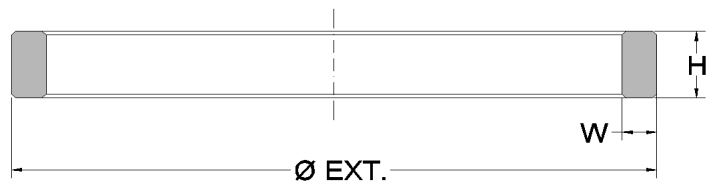
Medidas Nominais Milimétricas

Nº AGEL	USADO C/ AQB	Ø EXT	H	W	COR
6841	-	63,50	3,00	3,00	MR
5538	-	63,50	4,00	2,60	BR
AG8184	-	63,50	4,00	3,00	MR
5198	5390/5080	63,50	4,70	3,00	BR
1402	1271	63,50	5,70	2,00	BR
9506	9505	63,50	6,00	3,20	BR
1103	1271	63,50	6,90	2,40	BR
6716	6717	63,50	8,00	3,20	CZ
1110	1274	63,50	10,70	3,20	BR
AG8051	-	63,60	4,00	2,67	MR
9863	-	64,00	4,00	2,50	MR
6247	-	64,00	7,00	2,30	MR
5512	-	64,50	1,90	2,30	MR
9251	-	64,80	1,30	2,50	LJ
AG7266	-	65,00	1,50	4,50	BR
5989	-	65,00	1,50	7,20	BR
6082	-	65,00	2,00	1,60	BR
6083	-	65,00	2,00	1,70	VD
5553	-	65,00	4,00	2,70	BR
AG7348	-	65,00	4,00	2,70	MR
AG7592	-	65,00	4,00	2,80	CZ
1680	-	65,00	6,30	2,90	BR
5930	-	67,00	2,00	1,80	BR
1126	-	67,50	45,00	2,00	BR
AG7820	-	67,70	1,30	2,50	BR
9131	-	68,00	2,00	2,00	VD
AG7264	AG7255	68,00	3,00	2,25	BR
6094	-	69,00	2,00	2,30	BR
9449	-	69,00	2,30	1,70	BR
9344	-	69,50	1,20	2,40	BR
6097	-	69,50	1,50	2,00	BR
9309	-	69,50	2,90	3,00	BR
5410	-	69,85	3,80	2,20	BR
5356	-	69,85	4,00	2,30	BR
9469	-	70,00	1,00	2,10	BR
9312	-	70,00	1,30	2,80	VM
5998	-	70,00	1,70	6,00	BR
9345	-	70,00	2,00	5,00	BR
9844	-	70,00	2,20	1,60	BR
9450	-	70,00	3,00	1,80	BR

Nº AGEL	USADO C /AQB	Ø EXT.	H	W	COR
6347	-	70,00	4,60	3,00	CZ
6399	6400	70,00	4,70	2,50	CZ
AG7424	-	70,00	4,90	1,85	CZ
3654	-	70,00	5,50	2,50	MR
6825	-	70,00	5,60	3,50	LJ
3155	1899	70,00	6,90	2,40	BR
6500	1899 + 9587	70,00	6,90	2,40	MR
AG8021	-	70,40	4,00	2,80	MR
9198	-	70,50	2,80	1,70	AZ
3503	-	70,90	4,00	2,70	MR
5543	-	71,00	1,50	2,50	BR
9470	-	71,00	2,30	1,80	BR
1898	1899	71,00	5,70	2,00	BR
5687	-	71,00	6,50	3,00	BR
9600	-	71,50	1,30	3,00	BR
6085	-	71,50	1,50	2,10	VD
AG7529	-	71,50	10,00	4,00	BR
6046	-	72,00	1,82	2,80	BR
5883	-	72,00	4,00	2,70	MR
9929	-	72,60	2,00	4,80	MR
9125	-	73,00	3,00	6,25	MR
8333T	-	73,02	1,35	4,76	BR
6358	-	73,50	6,00	3,50	BR
9471	-	74,00	2,20	1,50	BR
5658	-	75,00	1,50	2,50	AZ
5994	-	75,00	1,70	9,00	BR
AG7127	-	75,00	2,50	3,10	MR
5625	-	75,00	4,00	2,60	CZ
6494	6489 + 1246	75,00	6,00	2,50	MR
AG8318	-	75,00	7,80	2,50	MR
AG7472	AG7470	75,00	8,80	2,50	MR
6290	-	75,60	4,00	2,67	MR
AG7856	-	76,00	2,85	3,00	MR
5640	-	76,00	2,90	3,00	LJ
4112	-	76,00	3,90	3,00	MR
1306	1313	76,00	4,80	3,00	CZ
3072	-	76,00	5,80	2,20	BR
AG7238	-	76,00	6,30	3,00	BR
6782	-	76,20	3,20	2,40	BR
5234	-	76,20	3,80	2,40	BR

ATF

Anel de PTFE



Medidas Nominais Milimétricas

Nº AGEL	USADO C/ AQB	Ø EXT	H	W	COR
1119	1246	76,20	6,35	3,20	BR
1100	1278	76,20	6,90	2,40	BR
5515	1278	76,20	6,90	2,40	MR
AG7280	5655	76,20	6,90	2,40	AZ
5291	6203	76,20	7,94	3,18	CZ
6718	6719	76,20	8,00	3,00	CZ
5975	-	76,20	9,30	3,20	CZ
1109	1267	76,20	10,70	3,20	BR
9258	-	77,00	1,50	2,50	BR
1682	1267	77,78	11,00	3,20	BR
AG7245	-	78,00	3,00	6,30	MR
6579	-	79,00	5,50	2,55	BR
5485	-	79,37	2,00	3,50	BR
5945	-	79,37	7,50	2,40	MR
5423	-	79,40	1,20	3,00	BR
5415	1277+ 1336	79,40	6,90	2,40	MR
AG7731	-	79,40	12,00	3,00	MR
9880	-	80,00	1,30	2,40	BR
5150	-	80,00	1,50	4,60	BR
9348	-	80,00	2,00	5,00	BR
9139	-	80,00	2,20	1,80	BR
5919	-	80,00	2,30	1,85	BR
9214	-	80,00	2,70	1,80	AZ
AG7169	-	80,00	3,00	5,00	MR
AG8063	-	80,00	4,00	3,00	MR
1846	-	80,00	4,80	2,00	BR
4113	-	80,00	5,90	3,00	MR
6478	6479	80,00	8,00	3,00	MR
5129	-	81,00	5,90	3,45	MR
9286	-	81,50	1,50	3,50	BR
AG7345	-	82,00	1,25	3,00	LJ
9601	-	82,00	3,60	3,00	AZ
6207	-	82,00	4,00	2,30	BR
3071	-	82,00	5,80	2,50	BR
AG8176	-	82,00	5,80	2,50	MR
9575	-	82,50	4,65	3,00	BR
4284	-	82,50	5,90	3,45	MR
5722	-	82,50	6,00	3,20	BR
6192	6191	82,50	9,30	3,20	BR
6630	-	82,50	9,30	3,20	MR

Nº AGEL	USADO C /AQB	Ø EXT.	H	W	COR
6240	-	82,55	3,00	3,00	BR
1095	1277	82,55	6,90	2,40	BR
4325	1277	82,55	6,90	2,40	MR
9367	-	84,00	1,10	2,60	BR
6047	-	84,50	1,50	2,00	BR
6345	-	84,50	4,80	2,50	CZ
6073	-	85,00	1,10	2,50	BR
5424	-	85,00	1,30	2,90	BR
9346	-	85,00	2,00	5,00	BR
AG7171	-	85,00	3,00	5,00	CZ
AG8314	-	85,00	4,00	3,00	CZ
6201	-	85,00	5,80	2,50	CZ
4114	-	85,00	5,90	3,00	MR
9275	-	86,00	2,20	4,80	BR
AG8106	-	86,00	3,00	3,50	BR
1487	-	86,00	6,00	3,50	CZ
3101	-	88,00	7,50	2,50	MR
9267	-	88,50	1,70	4,80	BR
9568	-	88,60	1,20	3,00	BR
5225	-	88,90	3,80	2,40	CZ
1305	1312	88,90	4,76	3,00	CZ
5646	1252	88,90	5,90	2,40	BR
9507	-	88,90	6,00	3,20	BR
AG7074	-	88,90	6,00	3,50	MR
1102	1252	88,90	6,90	2,30	BR
6501	1252	88,90	6,90	2,30	MR
3310	1252	88,90	6,90	2,50	MR
4168	4167	88,90	8,00	2,50	MR
AG7189	6653	88,90	8,00	3,20	CZ
AG7459	-	88,90	8,80	2,50	CZ
4145	6653	88,90	9,50	3,20	BR
1111	1266	88,90	10,70	3,20	BR
9845	-	89,00	3,10	3,00	BR
6178	-	89,00	3,80	2,20	CZ
AG8313	-	89,00	4,00	3,00	CZ
9577	9578	89,00	7,40	3,00	BR
5797	5798	89,00	9,40	3,00	BR
6292	-	89,20	6,10	3,30	MR
6839	-	89,30	3,30	1,35	BR
5545	-	90,00	1,30	2,40	BR



Medidas Nominais Milimétricas

Nº AGEL	USADO C/ AQB	Ø EXT	H	W	COR
6095	-	90,00	1,50	2,00	BR
4115	-	90,00	5,90	3,50	MR
4028	-	90,00	7,00	2,50	MR
AG7251	-	90,20	5,90	3,00	MR
AG7790	6228	90,60	6,00	2,50	MR
1112	1245	91,00	6,20	3,20	BR
1415	-	93,00	6,00	3,50	CZ
9879	-	94,00	2,65	1,40	BR
6253	-	94,00	5,80	2,50	CZ
6487	-	94,65	6,10	3,20	MR
9349	-	95,00	2,00	5,00	BR
AG7262	-	95,00	2,50	5,00	BR
6648	-	95,00	3,00	7,50	CZ
4116	-	95,00	5,90	3,50	MR
AG8098	AG8097	95,00	8,00	2,40	CZ
5482	-	95,25	3,80	2,40	BR
3201	3203	95,25	6,90	2,40	MR
AG7450	-	95,25	8,80	2,40	CZ
6759	-	96,25	6,10	3,30	MR
6682	-	96,70	3,60	3,00	AZ
9305	-	98,00	1,30	2,80	VM
1778	-	99,00	6,00	2,60	MR
9327	-	99,50	1,50	2,50	BR
6122	-	100,00	1,30	2,40	BR
5483	-	100,00	1,30	3,00	BR
AG7168	-	100,00	2,00	4,80	BR
4117	-	100,00	5,90	3,50	MR
1303	1310/1690/1265	100,00	6,20	3,20	BR
6912	-	100,00	7,50	2,40	MR
AG8061	-	100,00	8,00	4,00	CZ
AG7408	-	101,60	1,25	3,00	LJ
9588	-	101,60	1,30	3,30	BR
5991	-	101,60	2,30	1,80	BR
1698	-	101,60	2,50	5,00	BR
5277	-	101,60	3,80	2,40	BR
5179	1200 + 1310	101,60	5,80	2,40	BR
3069	-	101,60	6,00	3,60	BR
3287	1690	101,60	6,20	3,00	CZ
5645	5634	101,60	6,70	3,20	BR
1092	1200	101,60	6,90	2,40	BR

Nº AGEL	USADO C /AQB	Ø EXT.	H	W	COR
6503	1200	101,60	6,90	2,40	MR
3689	1200	101,60	7,00	3,00	CZ
AG7791	6223	101,60	7,50	3,75	MR
6105	6107	101,60	7,50	4,20	BR
5689	5692	101,60	7,95	3,18	CZ
AG7462	-	101,60	8,80	2,40	CZ
1096	1279	101,60	9,30	3,20	BR
1108	1265 + 1690	101,60	10,70	3,20	BR
AG8027	-	102,20	6,10	3,10	MR
AG7979	-	104,60	2,00	4,80	BR
6153	-	105,00	1,20	2,30	BR
9879	-	105,00	3,00	1,85	MR
AG8005	-	105,00	3,80	2,30	MR
6148	-	105,00	6,00	2,50	MR
6257	-	105,00	6,20	2,50	MR
6087	-	105,00	7,00	2,30	MR
AG8101	-	105,00	8,00	4,00	CZ
AG8022	-	106,00	6,10	3,30	MR
5216	-	107,95	3,80	2,20	BR
3311	1283	107,95	6,00	3,00	MR
1372A	-	107,95	6,10	3,05	MR
1098	1283	107,95	6,20	3,00	CZ
AG7411	-	108,00	1,20	3,00	LJ
5333	-	108,00	1,20	3,20	BR
3202	3204	108,00	6,90	2,40	BR
3564	-	108,00	15,00	2,50	MR
AG8023	-	108,90	6,10	3,30	MR
6631	-	109,00	4,00	1,70	AZ
1779	-	109,00	6,00	2,50	MR
6116	3204 + 1280	109,00	7,00	2,60	MR
5484	-	109,50	1,20	3,00	BR
9347	-	110,00	2,00	5,00	BR
1964	1965	110,00	8,00	3,00	BR
4054	-	110,00	8,00	5,00	CZ
AG7789	1965	110,10	7,90	3,20	MR
5544	-	111,00	1,20	2,50	BR
9443	-	111,00	2,30	1,90	BR
5997	-	111,00	2,40	1,90	BR
5258	-	111,00	3,70	3,90	BR
3070	-	111,00	6,00	3,60	BR

ATF

Anel de PTFE



Medidas Nominais Milimétricas

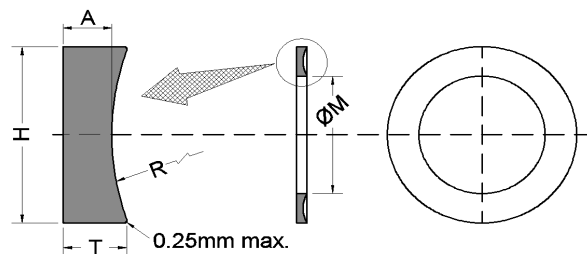
Nº AGEL	USADO C/ AQB	Ø EXT	H	W	COR
AG8052	-	111,00	6,10	3,30	MR
9244	-	111,50	2,00	5,00	BR
6907	-	111,50	6,50	2,00	BR
5513	-	113,50	2,80	2,00	VD
9307	-	114,00	1,30	2,70	LJ
5308	-	114,00	2,50	5,00	BR
9602	-	114,00	3,60	3,00	AZ
3103	-	114,00	7,50	2,50	MR
5647	1286	114,30	5,90	2,40	BR
1288	1295	114,30	6,20	3,80	CZ
1104	1286 + 1295	114,30	6,90	2,40	BR
6504	1286	114,30	6,90	2,40	MR
5690	5693 + 6892	114,30	7,95	3,18	CZ
AG7456	-	114,30	8,80	2,40	MR
1093	1280	114,30	9,30	3,80	BR
1685	-	114,30	10,70	3,20	BR
AG7573	AG7504	114,80	6,20	2,95	CZ
6114	-	115,00	6,00	3,50	MR
AG7750	-	115,00	7,90	5,00	CZ
9479	-	116,00	1,00	3,00	LJ
AG8024	-	116,00	6,10	3,30	MR
AG7129	AG7131	117,00	12,70	3,17	CZ
AG7396	-	118,40	2,90	1,90	AZ
5558	1286	119,00	6,30	2,70	MR
5557	-	120,00	1,50	2,50	BR
9350	-	120,00	2,00	5,00	BR
4118	-	120,00	5,90	3,50	MR
3525	-	120,00	7,80	5,00	CZ
AG7818	AG7819	120,00	7,90	3,00	MR
1289	1296	120,65	6,20	3,30	CZ
AG7786	6439	122,90	7,90	4,00	MR
5860	-	123,00	6,90	2,50	MR
AG7419	-	123,40	3,00	3,70	LJ
AG7733	-	124,50	15,80	3,70	MR
5654	-	124,61	1,70	2,62	BR
5947	-	125,00	2,00	5,00	BR
6006	-	125,00	5,00	3,50	MR
6905	-	125,00	5,80	2,50	BR
6256	-	125,00	6,00	2,50	MR
5682	-	125,00	6,00	3,50	BR

Nº AGEL	USADO C /AQB	Ø EXT.	H	W	COR
4373	-	125,00	6,00	3,50	MR
1870	1272	125,00	6,30	3,20	BR
1268	1272	125,00	7,00	2,50	MR
3512	5607	125,00	7,90	5,00	CZ
3022	3021 + 6899	125,00	8,00	3,20	MR
3173	-	125,00	9,50	3,50	MR
AG7412	-	125,40	1,25	2,70	LJ
AG7219	-	127,00	6,10	3,20	MR
1099	1285	127,00	6,90	2,30	BR
6502	1285	127,00	6,90	2,30	MR
5736	3233	127,00	7,00	3,20	CZ
AG7110	5714	127,00	7,00	4,20	BR
5680	5681 + AG7205	127,00	8,00	3,20	CZ
1101	1309/1281	127,00	9,30	3,20	CZ
1684	-	127,00	10,70	3,20	BR
AG7453	-	127,00	11,30	3,70	MR
9306	-	127,80	1,30	2,70	BR
6142	6143	129,00	6,00	3,50	MR
9357	-	129,50	1,20	2,50	BR
3726	-	129,50	8,00	5,00	CZ
AG7808	-	130,00	6,00	4,00	BR
3550	-	130,00	6,30	2,90	MR
1318	5467	130,00	7,00	2,40	MR
6306	6304	130,00	7,90	2,90	MR
3651	-	130,00	9,50	3,55	MR
1373A	-	131,00	6,10	3,30	MR
6848	-	132,00	2,60	4,50	BR
AG7785	AG7441	132,10	8,00	4,00	MR
9696	-	133,60	1,30	2,30	BR
3408	-	134,00	8,00	5,00	CZ
AG7373	-	134,50	1,30	3,00	BR
AG8200	-	134,60	1,40	4,80	BR
3497	-	135,00	2,00	5,00	BR
6540	6541	135,00	8,00	3,50	MR
3166	-	135,00	9,50	3,50	MR
AG7371	AG7372	136,00	6,90	2,40	CZ
6127	-	136,95	2,80	3,80	CZ
9363	-	138,00	3,00	3,50	BR
5298	-	139,00	15,80	3,60	MR
4625	6889	139,70	8,00	2,90	CZ

BKP

Anel Backup em Nitrílica

Medidas Nominais Milimétricas

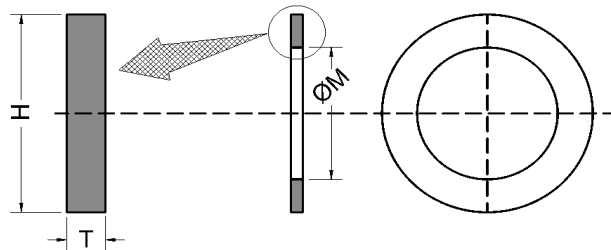


H 1,35 mm (±0,08)		H 2,18 mm (±0,10)		H 3,00 mm (±0,10)		H 4,65 mm (±0,13)		H 5,99 mm (±0,20)	
Nº AGEL	ØM	Nº AGEL	ØM	Nº AGEL	ØM	Nº AGEL	ØM	Nº AGEL	ØM
8006	3,56	8110	9,91	8205	10,69	8312	15,24	8425	115,60
8007	4,34	8111	11,48	8206	12,29	8314	18,42	8426	118,77
8008	5,13	8112	13,08	8207	13,87	8317	24,13	8427	121,95
8009	5,94	8113	14,66	8208	16,33	8318	25,73	8428	125,20
8010	6,73	8114	16,26	8210	19,45	8320	28,91	8432	137,82
8011	8,31	8115	17,83	8211	21,03	8324	35,25	8433	141,00
8012	9,91	8116	19,43	8212	22,63	8325	38,43	8437	153,70
8013	11,56	8117	21,11	8214	25,81	8326	41,61	8439	165,71
8014	13,16	8118	22,68	8215	27,38	8327	44,78	8441	178,41
8015	14,73	8119	24,28	8216	28,98	8328	47,96	8444	197,46
8016	16,33	8120	25,96	8217	30,56	8329	51,13	8446	216,51
8017	17,91	8121	27,46	8218	32,16	8330	54,31	8447	229,21
8018	18,51	8122	29,03	8219	33,88	8331	57,61	8454	318,11
8019	21,08	8123	30,63	8220	35,48	8332	60,78	DIMENSÕES	
8020	22,68	8124	32,21	8221	37,06	8333	63,96	Nº AGEL	T (mm)
8021	24,26	8125	33,81	8222	38,66	8334	67,13	8006 – 8050	1,24
8024	29,03	8126	35,38	8223	41,83	8335	70,31	8104 – 8178	1,35
		8127	36,98	8224	45,01	8336	73,48	8201 – 8284	1,27
		8128	38,56	8225	48,18	8337	76,66	8309 – 8395	1,93
		8129	40,16	8226	51,36	8338	79,83	8425 – 8475	2,97
		8130	41,73	8227	54,53	8339	83,13	DIMENSÕES	
		8132	44,91	8228	57,71	8340	86,31	Nº AGEL	A (mm)
		8133	46,51	8229	60,88	8341	89,48	8006 – 8050	1,14
		8134	48,08	8230	64,06	8342	92,66	8104 – 8178	1,14
		8135	49,68	8231	66,83	8343	95,83	8201 – 8284	1,02
		8136	51,26	8232	70,00	8344	99,01	8309 – 8395	1,52
		8139	56,03	8233	73,18	8345	102,31	8425 – 8475	2,44
		8140	57,61	8234	76,35	8346	105,49	DIMENSÕES	
		8141	59,21	8235	79,53	8347	108,66	Nº AGEL	A (±mm)
		8143	62,38	8236	82,70	8348	111,84	8006 – 8269	0,08
		8144	63,96	8237	85,88	8349	115,01	8312 – 8378	0,10
		8145	65,56	8238	89,05	8350	118,19	8425 – 8454	0,15
		8146	67,13	8239	92,23	8351	121,36	DIMENSÕES	
		8147	68,73	8240	95,40	8352	124,54	Nº AGEL	M (±mm)
		8149	71,91	8241	98,58	8353	127,71	8006 – 8019	0,13
		8150	73,48	8242	101,75	8354	130,89	8020 – 8024	0,23
		8151	76,66	8243	104,93	8356	137,23		
		8152	83,01	8244	108,10	8357	140,41	8110 – 8116	0,18
		8154	95,71	8245	111,28	8358	143,59	8117 – 8128	0,25
		8155	102,06	8246	114,45	8359	146,76	8129 – 8146	0,38
				8247	117,63	8360	149,93	8147 – 8155	0,61
				8248	121,11	8361	153,11		
				8249	124,28	8362	159,46	8205 – 8209	0,18
				8250	127,46	8363	165,81	8210 – 8222	0,38
				8251	130,63	8364	172,16	8223 – 8231	0,46
				8252	133,81	8365	178,51	8232 – 8250	0,71
				8253	136,98	8366	184,86	8251 – 8269	1,02
				8254	140,16	8367	191,21		
				8255	143,33	8368	197,56	8312 – 8314	0,23
				8256	146,51	8370	210,26	8315 – 8324	0,30
				8257	149,68	8372	222,96	8325 – 8334	0,46
				8258	152,85	8373	229,31	8335 – 8353	0,71
				8259	159,21	8378	267,41	8354 – 8365	1,02
				8260	165,56			8366 – 8378	1,40
				8261	171,91				
				8262	178,26			8425 – 8429	0,84
				8263	184,61			8430 – 8441	1,02
				8267	210,01			8442 – 8454	1,40
				8269	222,71				

BKP

Anel Backup em TPU

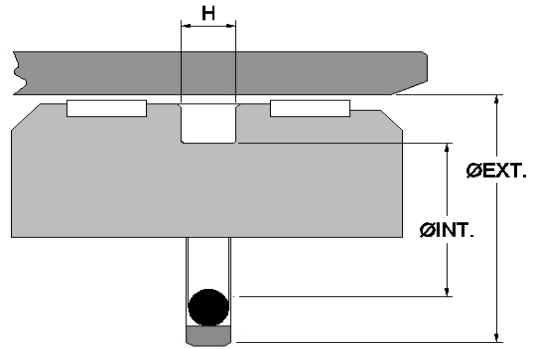
Medidas Nominais Milimétricas



H 1,45 mm (±0,15)		H 2,19 mm (±0,20)		H 2,70 mm (±0,30)		H 4,60 mm (±0,45)		H 5,99 mm (±0,45)	
Nº AGEL	ØM	Nº AGEL	ØM	Nº AGEL	ØM	Nº AGEL	ØM	Nº AGEL	ØM
				8219PU	32,65	8326PU	41,80	8425PU	113,40
				8223PU	41,80	8336PU	72,40		
				8224PU	45,00	8339PU	81,50		
				8225PU	45,15	8341PU	89,70		
				8229PU	58,40	8342PU	90,00		
				8237PU	84,80	8343PU	93,00		
				8238PU	88,60	8345PU	101,60		
				8239PU	90,10	8347PU	106,30		
				8242PU	101,70	8350PU	115,30		
				8245PU	111,30	8351PU	119,85		
				8246PU	114,60	8352PU	125,50		
				8258PU	152,85	8354PU	131,50		
						8357PU	139,50		
								DIMENSÕES	
								Nº AGEL	T (mm)
								8006 - 8050	1,25
								8104 - 8178	1,35
								8201 - 8284	1,30
								8309 - 8395	1,90
								8425 - 8475	3,00
								DIMENSÕES	
								Nº AGEL	T (±mm)
								8006 - 8050	0,25
								8104 - 8178	0,25
								8201 - 8284	0,25
								8309 - 8395	0,45
								8425 - 8475	0,45
								DIMENSÕES	
								Nº AGEL	M (±mm)
								8006 - 8019	0,13
								8020 - 8024	0,23
								8110 - 8116	0,18
								8117 - 8128	0,25
								8129 - 8146	0,38
								8147 - 8155	0,61
								8205 - 8209	0,18
								8210 - 8222	0,38
								8223 - 8231	0,46
								8232 - 8250	0,71
								8251 - 8269	1,02
								8312 - 8314	0,23
								8315 - 8324	0,30
								8325 - 8334	0,46
								8335 - 8353	0,71
								8354 - 8365	1,02
								8366 - 8378	1,40
								8425 - 8429	0,84
								8430 - 8441	1,02
								8442 - 8454	1,40

BS

Conjunto em PTFE com Bronze - OE



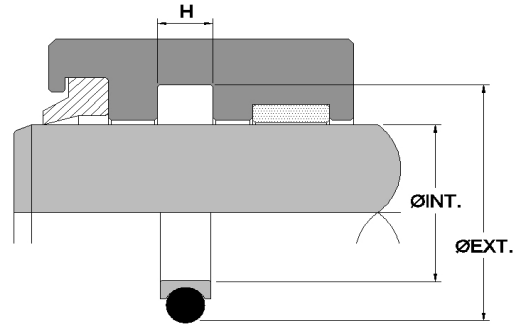
Medidas Nominais Milimétricas

Nº AGEL	Ø EXT.	Ø INT.	H
OE012005200211A-BR	12,00	7,10	2,20
OE019005200211B-BR	19,00	11,50	3,20
OE025005200211B-BR	25,00	17,50	3,20
OE028005200211B-BR	28,00	20,5	3,20
OE028505200211B-BR	28,57	21,70	3,20
OE031705200211B-BR	31,70	24,20	3,20
OE032005200211B-BR	32,00	24,50	3,20
OE038005200211B-BR	38,00	30,50	3,20
OE038105200211C-BR	38,10	27,10	4,20
OE040005200211C-BR	40,00	29,00	4,20
OE044405200211C-BR	44,45	33,45	4,20
OE045005200211D-BR	45,00	29,50	6,30
OE045005200211C-BR	45,00	34,00	4,20
OE050005200211C-BR	50,00	39,00	4,20
OE050805200211C-BR	50,80	39,80	4,20
OE052005200211C-BR	52,00	41,00	4,20
OE055005200211C-BR	55,00	44,00	4,20
OE057105200211C-BR	57,10	46,10	4,20
OE060005200211C-BR	60,00	49,00	4,20
OE063005200211C-BR	63,00	52,00	4,20
OE063005200211B-BR	63,00	55,50	3,20
OE063505200211C-BR	63,50	52,50	4,20
OE065005200211C-BR	65,00	54,00	4,20
OE069805200211C-BR	69,80	58,90	4,20
OE070005200211C-BR	70,00	59,00	4,20
OE075005200211C-BR	75,00	64,00	4,20
OE076205200211C-BR	76,20	65,20	4,20
OE080005200211D-BR	80,00	64,50	6,30
OE082605200211D-BR	82,60	67,10	6,30
OE085705200211D-BR	85,72	70,22	6,30
OE088205200211D-BR	88,20	72,70	6,30
OE088905200211D-BR	88,90	73,40	6,30
OE090005200211D-BR	90,00	74,50	6,30
OE093600100211D-BR	93,65	78,75	6,30
OE095005200211D-BR	95,00	79,50	6,30
OE095205200211D-BR	95,25	79,75	6,30
OE100005200211D-BR	100,00	84,50	6,30
OE101605200211D-BR	101,60	86,10	6,30
OE105005200211D-BR	105,00	89,50	6,30
OE107205200211D-BR	107,20	91,70	6,30

Nº AGEL	Ø EXT.	Ø INT.	H
OE107905200211D-BR	107,90	92,40	6,30
OE110005200211D-BR	110,00	94,50	6,30
OE111005200211D-BR	111,00	95,50	6,30
OE115005200211D-BR	115,00	99,50	6,30
OE120005200211D-BR	120,00	104,50	6,30
OE125005200211D-BR	125,00	109,50	6,30
OE127005200211D-BR	127,00	111,50	6,30
OE130005200211D-BR	130,00	114,50	6,30
OE140005200211E-BR	140,00	119,00	8,10
OE140005200212E-BR	140,00	121,80	8,10
OE140005200211D-BR	140,00	124,50	6,30
OE145005200211E-BR	145,00	124,00	8,10
OE150005200211E-BR	150,00	129,00	8,10
OE150005200211D-BR	150,00	134,50	6,30
OE152405200211E-BR	152,40	131,40	8,10
OE160005200211E-BR	160,00	139,00	8,10
OE160005200212E-BR	160,00	141,20	8,10
OE165005200211E-BR	165,00	144,00	8,10
OE175005200211E-BR	175,00	154,00	8,10
OE177805200211E-BR	177,80	156,80	8,10
OE180005200211E-BR	180,00	159,00	8,10
OE190005200211E-BR	190,00	169,00	8,10
OE195605200211E-BR	195,60	174,60	8,10
OE200005200210B-BR	200,00	179,00	3,20
OE200005200211E-BR	200,00	179,00	8,10
OE203205200211E-BR	203,20	182,20	8,10
OE220005200211E-BR	220,00	199,00	8,10
OE225005200211E-BR	225,00	204,00	8,10
OE230005200211E-BR	230,00	209,00	8,10
OE250005200211E-BR	250,00	229,00	8,10
OE280005200211E-BR	280,00	259,00	8,10

BS

Conjunto em PTFE com Bronze - CR



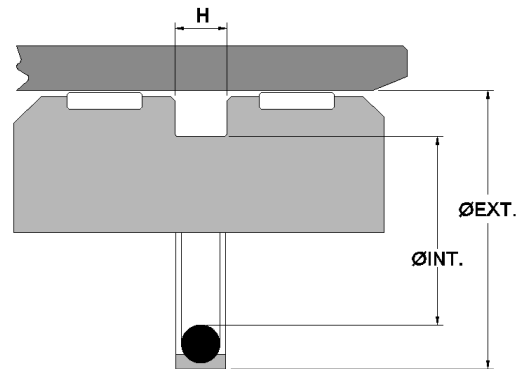
Medidas Nominais Milimétricas

Nº AGEL	Ø INT.	Ø EXT.	H
CR061006700500C-VT	60,00	71,70	4,20
CR070008150500C-VT	70,00	81,50	4,20
CR080009200500C-VT	80,00	92,00	4,20
CR090001000050C-VT	90,00	100,00	4,20
CR1000011100500C-VT	100,00	111,00	4,20

Nº AGEL	Ø INT.	Ø EXT.	H

BS

Conjunto em PTFE com Bronze - CP

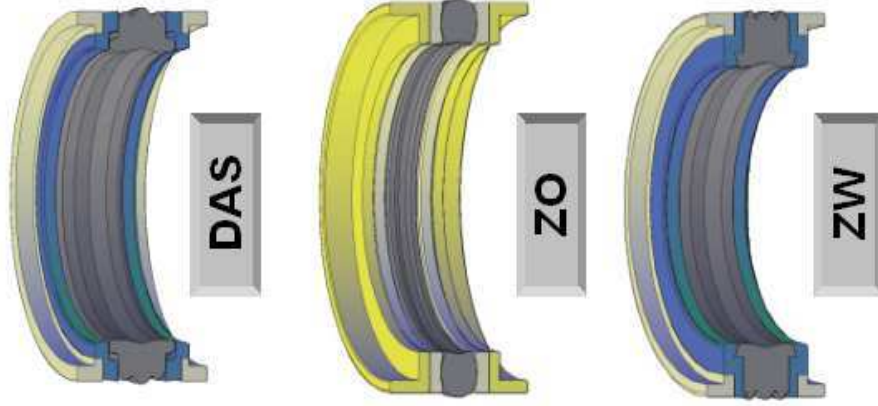


Medidas Nominais Milimétricas

Nº AGEL	Ø EXT.	Ø INT.	H
CP035005200211B-VT	35,00	27,60	3,20
CP035005200211B-VT	42,00	35,40	3,20
CP035005200211B-VT	132,00	124,60	3,20
CP035005200211B-VT	142,00	134,60	3,20

Nº AGEL	Ø EXT.	Ø INT.	H

CONJUNTOS ZO / ZW / DAS



- Os Perfis "ZO", "ZW" ou "DAS" são usados como vedação de pistão de dupla ação e são compostos de:
- **02 Anéis Guia em L** – PA 66 com ou sem carga, POM, PTFE;
- **02 Anéis Anti-Extrusão** – TPU Shore D, Hytrel, PA 6, POM;
- **01 Elemento de Vedação** – NBR, HNBR, Viton®, EPDM;

Vantagens do uso desses conjuntos de vedação:

- As ações de guia e vedação são desempenhadas pelo próprio conjunto de vedação, necessitando de mínimo espaço.
- Adequado para uso com óleos minerais, fluidos do tipo HFA, HFB e HFC (máx. + 60° C), e pressões até 400 bar;
 - De fácil instalação;
 - Projeto de Êmbolo mais simples;
 - As aplicações em cilindros são limitadas pelas condições de trabalho;
 - Para condições severas de trabalho, vide recomendações abaixo;

Perfil ZO:	60°C =	350bar (pressão máx.)	Até 0,5 m/s
	80°C =	250bar (pressão máx.)	Até 0,5 m/s
	110°C =	160bar (pressão máx.)	Até 0,5 m/s

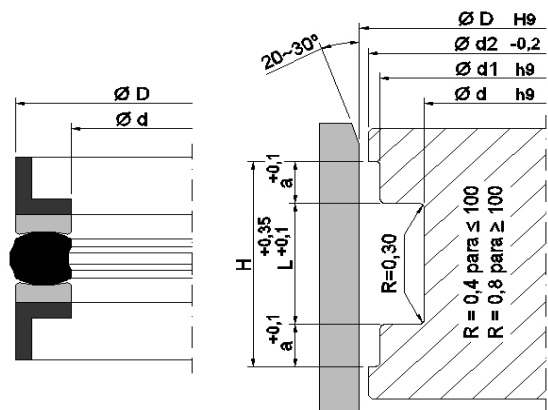
Perfil DAS/ZW:	60°C =	450bar (pressão máx.)	0,5~1,5 m/s
	80°C =	350bar (pressão máx.)	0,5~1,5 m/s
	110°C =	250bar (pressão máx.)	0,5~1,5 m/s

- Por outro lado pode ser possível exceder esses valores para aplicações a baixas temperaturas.
- Nos perfis DAS/ZW o alcance de Temperatura x Pressão é maior, pois as borrachas formuladas pela AGEL possuem melhores propriedades mecânicas com relação aos concorrentes;
- A vedabilidade dos Perfis ZW e DAS é muito superior ao modelo ZO, por causa da área de contato do elastômero utilizado como vedação. No modelo ZO existe apenas uma aresta de contato maciço, enquanto nos outros modelos existem 3 áreas de contato, fazendo com que a retenção do fluido seja muito mais eficiente.

ZO

Conjunto ZO

Medidas Nominais Milimétricas

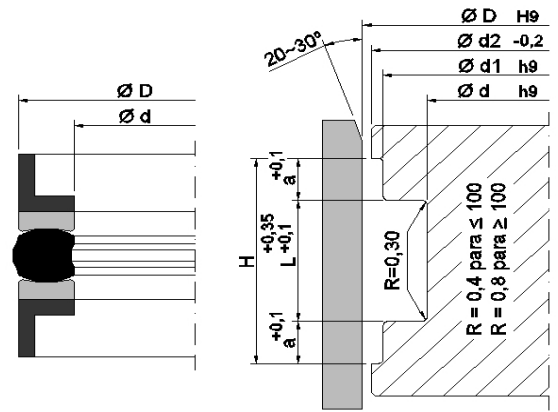


Nº AGEL	CILINDRO				d1	d2	a
	Ø D	Ø d	h/L	H			
ZO-003200260	32,00	20,00	13,50	20,00	28,00	31,10	3,00
ZO-004000260	40,00	24,00	18,40	31,20	35,40	38,70	6,40
ZO-004000261	40,00	30,00	16,40	30,00	35,00	38,70	6,40
ZO-004000262	40,85	23,50	20,00	32,00	36,00	39,55	6,40
ZO-004500261	45,00	32,00	16,00	25,00	39,60	29,70	5,00
ZO-005000260	50,00	34,00	18,40	31,20	45,40	48,70	6,35
ZO-005500260	55,00	39,00	18,40	31,20	50,40	53,70	6,40
ZO-006000260	60,00	44,00	18,40	31,20	55,40	58,70	6,40
ZO-006000261	60,00	44,00	32,00	44,70	53,80	42,70	6,40
ZO-006400260	63,50	47,60	23,80	36,20	58,63	62,20	6,40
ZO-006500260	65,00	50,00	18,40	31,20	60,40	63,70	6,40
ZO-007000260	70,00	50,00	22,40	35,20	64,20	68,30	6,40
ZO-007500260	75,00	55,00	22,40	35,20	69,20	73,30	6,40
ZO-007600260	76,20	57,15	30,20	42,60	69,55	74,50	6,40
ZO-008000260	80,00	60,00	22,40	35,20	74,20	78,30	6,40
ZO-008200260	80,00	66,00	22,50	32,90	74,76	79,40	5,20
ZO-008500260	85,00	65,00	22,40	35,20	79,20	83,30	6,40
ZO-008600260	86,00	65,00	22,40	35,20	80,20	84,30	6,40
ZO-009000260	90,00	70,00	22,40	35,20	84,20	88,30	6,40
ZO-009200260	92,00	70,00	22,40	35,20	86,00	24,00	6,40
ZO-009500260	95,00	75,00	22,40	35,20	89,20	93,30	6,40
ZO-010000260	100,00	75,00	22,40	35,20	93,20	98,00	6,40
ZO-010500260	105,00	80,00	22,40	35,20	98,20	103,00	6,40
ZO-010600260	105,80	80,00	22,40	35,20	99,00	103,80	6,40
ZO-011000260	110,00	85,00	22,40	35,20	103,10	108,00	6,40
ZO-011000261	110,00	85,00	25,40	35,20	103,10	108,00	5,00
ZO-011500260	115,00	90,00	22,40	35,20	108,10	113,00	6,40
ZO-012000260	120,00	95,00	22,40	35,20	113,10	118,00	6,40
ZO-012200260	122,00	95,00	22,40	35,20	115,10	120,00	6,40
ZO-012700260	127,00	102,00	25,40	38,20	120,10	125,00	6,40
ZO-013000260	130,00	105,00	25,40	38,20	123,10	128,00	6,40
ZO-013100260	131,90	105,00	25,40	38,20	125,10	130,00	6,40
ZO-014000260	140,00	115,00	25,40	38,20	133,00	138,00	6,40
ZO-014700260	147,00	119,00	25,40	38,20	140,00	145,00	6,40
ZO-015000260	150,00	125,00	25,40	38,20	143,00	148,00	6,40
ZO-016000260	160,00	130,00	25,40	38,20	153,00	158,00	6,40
ZO-017000260	170,00	140,00	35,40	48,20	163,00	168,00	6,40
ZO-018000260	180,00	150,00	35,40	48,20	173,00	178,00	6,40
ZO-018500260	185,70	150,00	25,40	38,20	178,70	183,70	6,40
ZO-019000260	190,00	165,00	25,40	50,80	181,70	187,00	12,70

ZO

Conjunto ZO

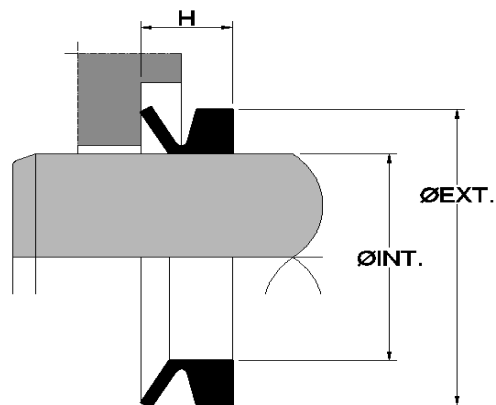
Medidas Nominais Milimétricas



N° AGEL	CILINDRO				d1	d2	a
	$\varnothing D$	$\varnothing d$	h/L	H			
ZO-020000260	200,00	170,00	35,40	48,20	193,00	198,00	6,40
ZO-022400260	224,75	194,75	25,40	38,20	217,75	223,00	6,40

V - RING

Guarda Pó



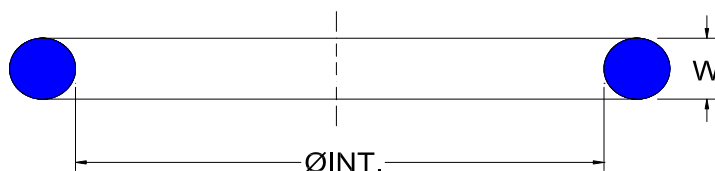
Medidas Nominais Milimétricas

Nº AGEL	REFERÊNCIA	Ø INT.	Ø EXT.	H
AG8234	---	70,00	82,00	11,00
6726	---	76,00	88,00	11,00
4793	---	121,00	135,00	9,00
4483	---	125,50	154,50	14,20
AG7782	---	126,00	140,00	12,50
5105	---	135,00	149,00	12,50
1921	---	141,00	157,00	9,00
4233	---	141,00	157,00	9,00
4664	---	147,00	163,00	9,00
4060	---	380,00	393,00	10,00

Nº AGEL	REFERÊNCIA	Ø INT.	Ø EXT.	H

O´ring

O´ring de PU



Medidas Nominais Milimétricas

Nº AGEL	REFERÊNCIA	Ø INT.	Ø EXT. (Ref.)	W
9769	---	3,20	6,80	1,80
9770	---	4,20	8,00	1,90
9771	---	9,00	13,00	2,00
5202	---	16,00	19,60	1,80
5193	---	19,05	22,65	1,80
AG7773	---	20,40	25,60	2,60
AG7774	---	22,00	27,20	2,60
AG7775	---	23,50	28,70	2,60
6828	---	44,04	51,10	3,53
5598	---	47,35	50,91	1,78
6466	---	50,00	56,00	3,00

Nº AGEL	REFERÊNCIA	Ø INT.	Ø EXT. (Ref.)	W
9715	---	53,90	59,90	3,00
6467	---	60,00	70,00	5,00
6468	---	65,00	75,00	5,00
6463	---	70,00	80,00	5,00
6465	---	80,00	90,00	5,00
6464	---	90,00	100,00	5,00
6430	---	100,00	110,00	5,00
6440	---	110,00	120,00	5,00
6486	---	120,00	130,66	5,33
AG8252	---	122,00	138,00	8,00
AG8251	---	152,00	168,00	8,00